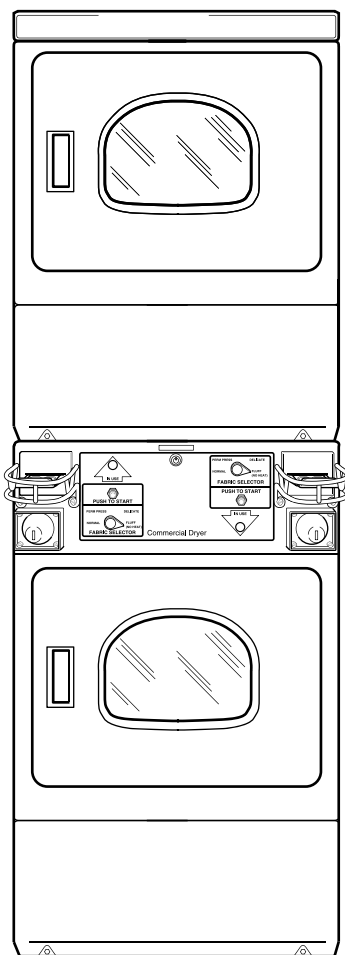


# Stacked Dryers

Metered and Nonmetered

Refer to Page 3 for Model Numbers



D330P\_505028



# Table of Contents

Title	Page
Parts Ordering Information.....	2
Nameplate Location .....	2
Model Identification .....	3
Control Panel and Controls - Nonmetered.....	4
Control Panel and Controls - Coin Slide Ready .....	6
Control Panel and Controls - Coin Drop .....	8
Control Panel and Controls - Card Reader Ready.....	10
Control Panel and Controls - Card Reader Installed.....	12
Control Cabinet - Nonmetered .....	14
Control Cabinet - Coin Slide Ready .....	16
Control Cabinet - Coin Drop.....	18
Control Cabinet - Card Reader Ready.....	20
Control Cabinet - Card Reader Installed .....	22
2 Switch Timer .....	24
3 Switch Timer .....	26
Loading Door without Window .....	28
Loading Door with Window .....	30
Access Panel, Front Panel and Seal .....	32
Motor, Exhaust Fan and Belt .....	34
Front Bulkhead, Air Duct, Felt Seal and Cylinder .....	36
Rear Bulkhead, Felt Seal, Cylinder Roller and Terminal Block.....	38
Heater Duct and Element Assembly .....	40
Heater Duct Assembly .....	42
Gas Valve, Igniter and Gas Conversion Kits.....	44
Cabinet, Exhaust Duct and Base - Upper Dryer .....	46
Cabinet, Exhaust Duct and Base - Lower Dryer .....	48
Lead-In Cord .....	50
Terminal Block and Terminals .....	52
Terminals .....	54
Terminals and Terminal Extractor Tools .....	56
Burner Orifice Spuds.....	58
Wire Harnesses and Wires .....	59
Parts Index.....	61

© Copyright 2011, Alliance Laundry Systems LLC

All rights reserved. No part of the contents of this book may be reproduced or transmitted in any form or by any means without the expressed written consent of the publisher.

## Parts Ordering Information

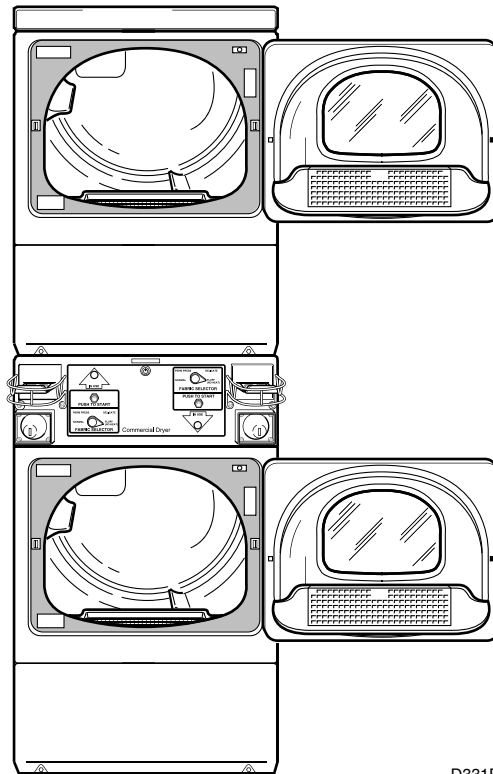
If literature or replacement parts are required, contact the source from whom the machine was purchased or contact Alliance Laundry Systems at (920) 748-3950 for the name and address of the nearest authorized parts distributor.

For technical assistance, call either of the numbers listed below:

(920) 748-3121 Ripon, Wisconsin  
+32 56 41 20 54 Wevelgem, Belgium

## Nameplate Location

When calling or writing about your product, be sure to mention model and serial numbers. Model and serial numbers are located on nameplate(s) as shown.



D331P\_505028

# Model Identification

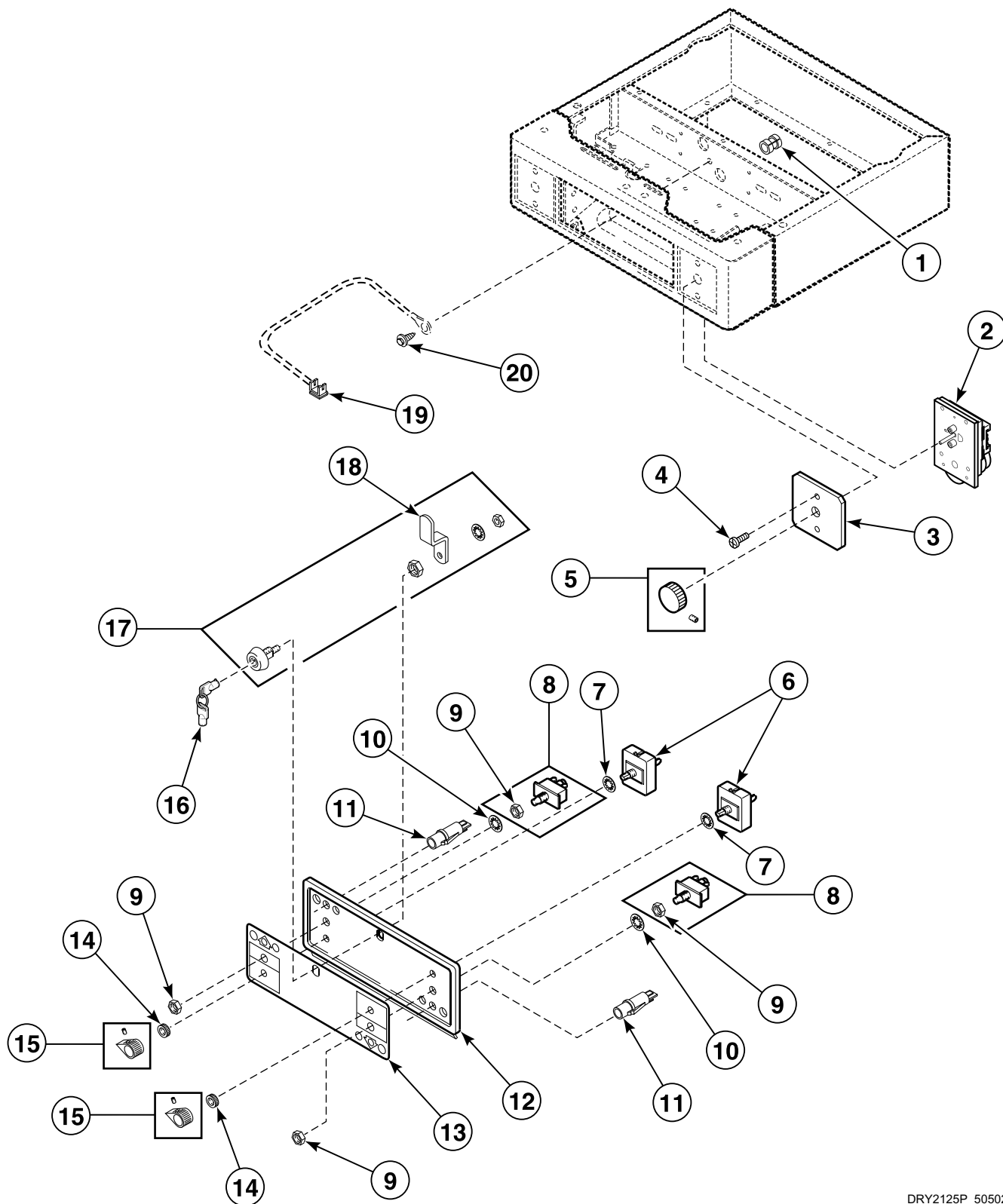
Information in this manual is applicable to these dryer models:

HSE117*A	SSE307*A	SSE517*A	SSG009*A	SSG609*C
HSE117*C	SSE307*A1500	SSE517*A1500	SSG109*A	SSG609*D
HSG119*A	SSE407*A	SSE607*C	SSG119*A	SSG619*C
HSG119*C	SSE407*A1500	SSE607*C1500	SSG309*A	SSG619*D
SSE007*A	SSE407*D	SSE607*D	SSG409*A	SSG709*A
SSE007*A1500	SSE407*D1500	SSE607*D1500	SSG409*D	SSG719*A
SSE107*A	SSE417*A	SSE617*C	SSG419*A	USE007*A
SSE107*A1500	SSE417*D	SSE617*D	SSG419*D	USG009*A
SSE117*A	SSE507*A	SSE707*A	SSG509*A	
SSE117*A1500	SSE507*A1500	SSE717*A	SSG519*A	

\* Add Letter To Designate Color. L - Almond W - White

# Control Panel and Controls - Nonmetered

Models SSE007\*A, SSE007\*A1500, SSG009\*A, USE007\*A and USG009\*A



DRY2125P\_505028

## Control Panel and Controls - Nonmetered

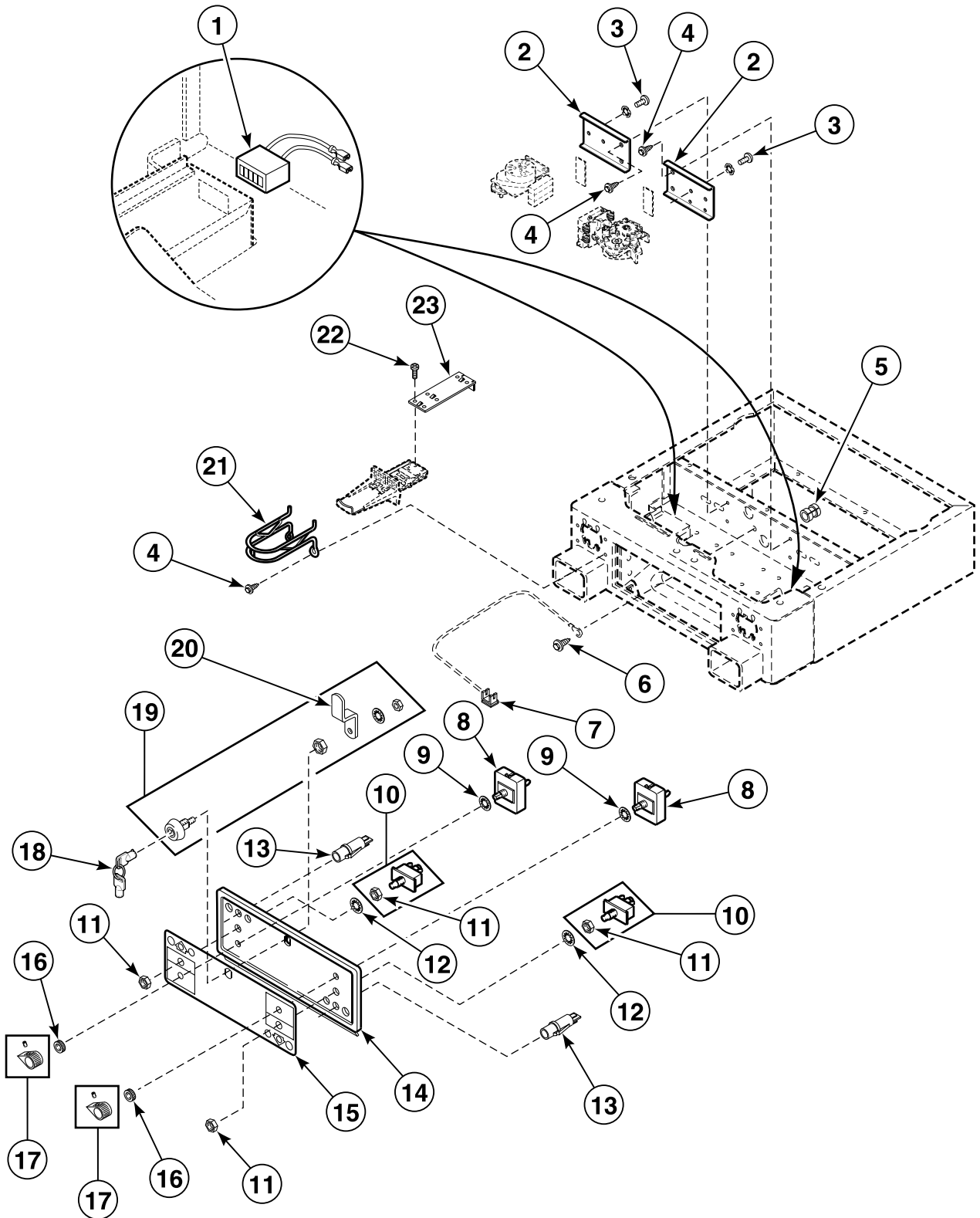
REF	PART NO.	DESCRIPTION	COMMENTS
1	52113	Strain Relief	Models SSG009*A and USG009*A
	N/A	Strain Relief	Models SSE007*A, SSE007*A1500 and USE007*A
2	510524P	Timer	
3	500814	Timer Overlay	
4	27328	Screw	
5	54678	Timer Knob	
6	61512	Fabric Selector Switch	
7	91176	Washer	
8	55882	Switch Assembly	Includes item 9
9	52947	Nut	
10	25820	Washer	
11	32464	Light	
12	500228W	Control Panel and Bracket Assembly	White
	500228L	Control Panel and Bracket Assembly	Almond
13	504590	Graphic Overlay	Models SSE007*A, SSE007*A1500 and SSG009*A
	502927	Overlay	Models USE007*A and USG009*A
14	24205	Nut	
15	39897	Switch Knob	
16	54612	Key	800
17	27260P	Lock Kit	Includes item 18
18	27261	Lock Cam	
19	00161	Grounding Clip	
20	20530	Screw	

\* Add Letter To Designate Color. L - Almond W - White

N/A = Part no longer available

# Control Panel and Controls - Coin Slide Ready

Models HSE117\*A, HSE117\*C, HSG119\*A, HSG119\*C, SSE107\*A, SSE107\*A1500, SSE117\*A, SSE117\*A1500, SSE307\*A, SSE307\*A1500, SSG109\*A, SSG119\*A and SSG309\*A



DRY2126P\_505028



## Control Panel and Controls - Coin Slide Ready

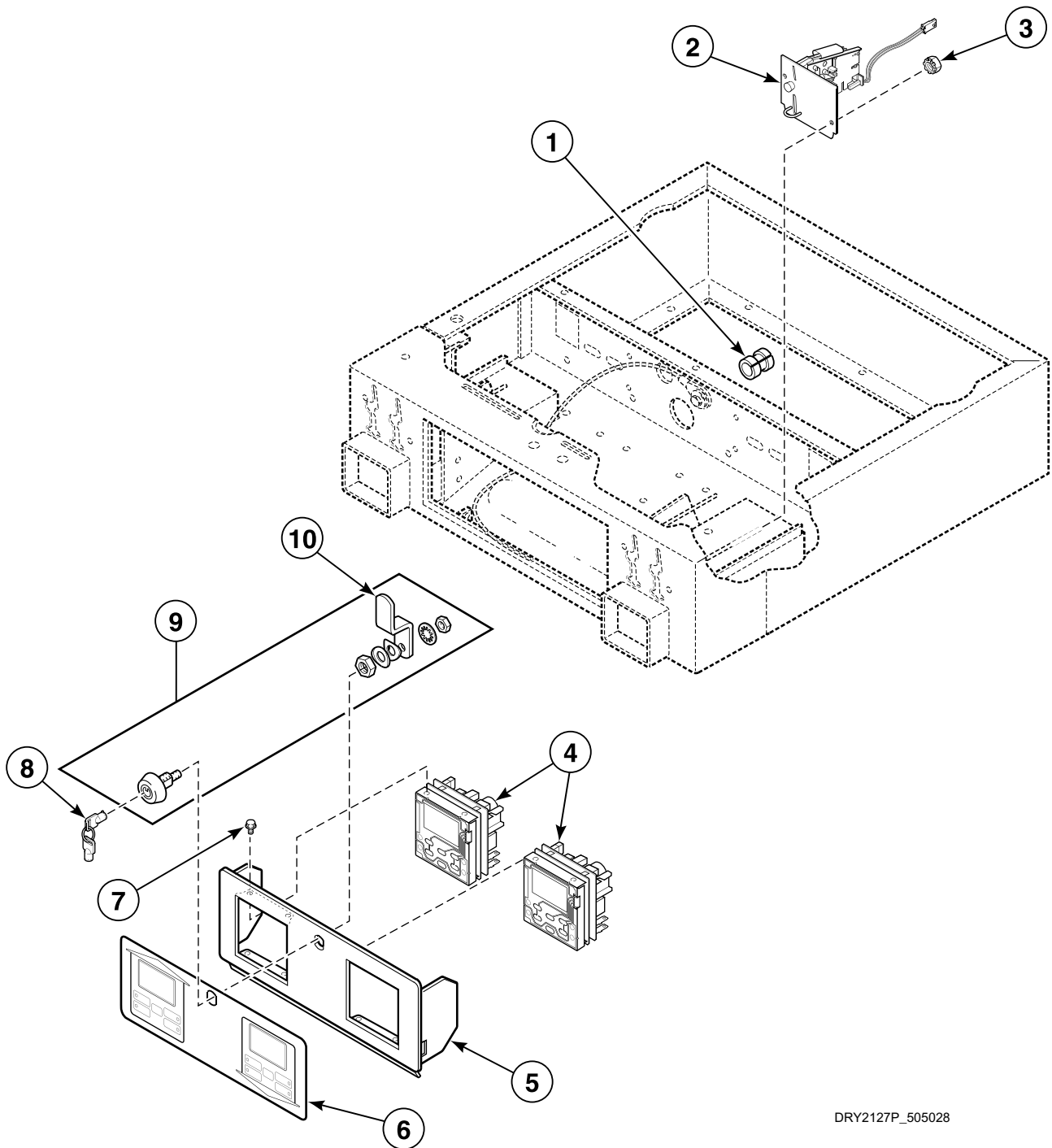
REF	PART NO.	DESCRIPTION	COMMENTS
1	62113P	Counter Kit	Models SSE307*A, SSE307*A1500 and SSG309*A
2	503017	Timer Bracket	
3	03203	Screw	
4	503661	Screw	
5	52113	Strain Relief	Models HSG119*A, HSG119*C, SSG109*A, SSG119*A and SSG309*A
	N/A	Strain Relief	Models HSE117*A, HSE117*C, SSE107*A, SSE107*A1500, SSE117*A, SSE117*A1500, SSE307*A and SSE307*A1500
6	20530	Screw	
7	00161	Grounding Clip	
8	61512	Fabric Selector Switch	
9	91176	Washer	
10	55882	Switch Assembly	Includes item 11
11	52947	Nut	
12	25820	Washer	
13	32464	Light	
14	500228W	Control Panel and Bracket Assembly	White
	500228L	Control Panel and Bracket Assembly	Almond
15	504590	Graphic Overlay	Models SSE107*A, SSE107*A1500, SSE117*A, SSE117*A1500, SSE307*A, SSE307*A1500, SSG109*A, SSG119*A and SSG309*A
	505381	Overlay	Models HSE117*A, HSE117*C, HSG119*A and HSG119*C
16	24205	Nut	
17	39897	Switch Knob	
18	54612	Key	800
19	27260P	Lock Kit	Includes item 20
20	27261	Lock Cam	
21	58181	Coin Slide Guard	
22	N/A	Screw	
23	503455	Coin Slide Extension	

\* Add Letter To Designate Color. L - Almond W - White

N/A = Part no longer available

# Control Panel and Controls - Coin Drop

Models SSE407\*A, SSE407\*A1500, SSE407\*D, SSE407\*D1500, SSE417\*A, SSE417\*D, SSE507\*A, SSE507\*A1500, SSE517\*A, SSE517\*A1500, SSG409\*A, SSG409\*D, SSG419\*A, SSG419\*D, SSG509\*A and SSG519\*A



DRY2127P\_505028

## Control Panel and Controls - Coin Drop

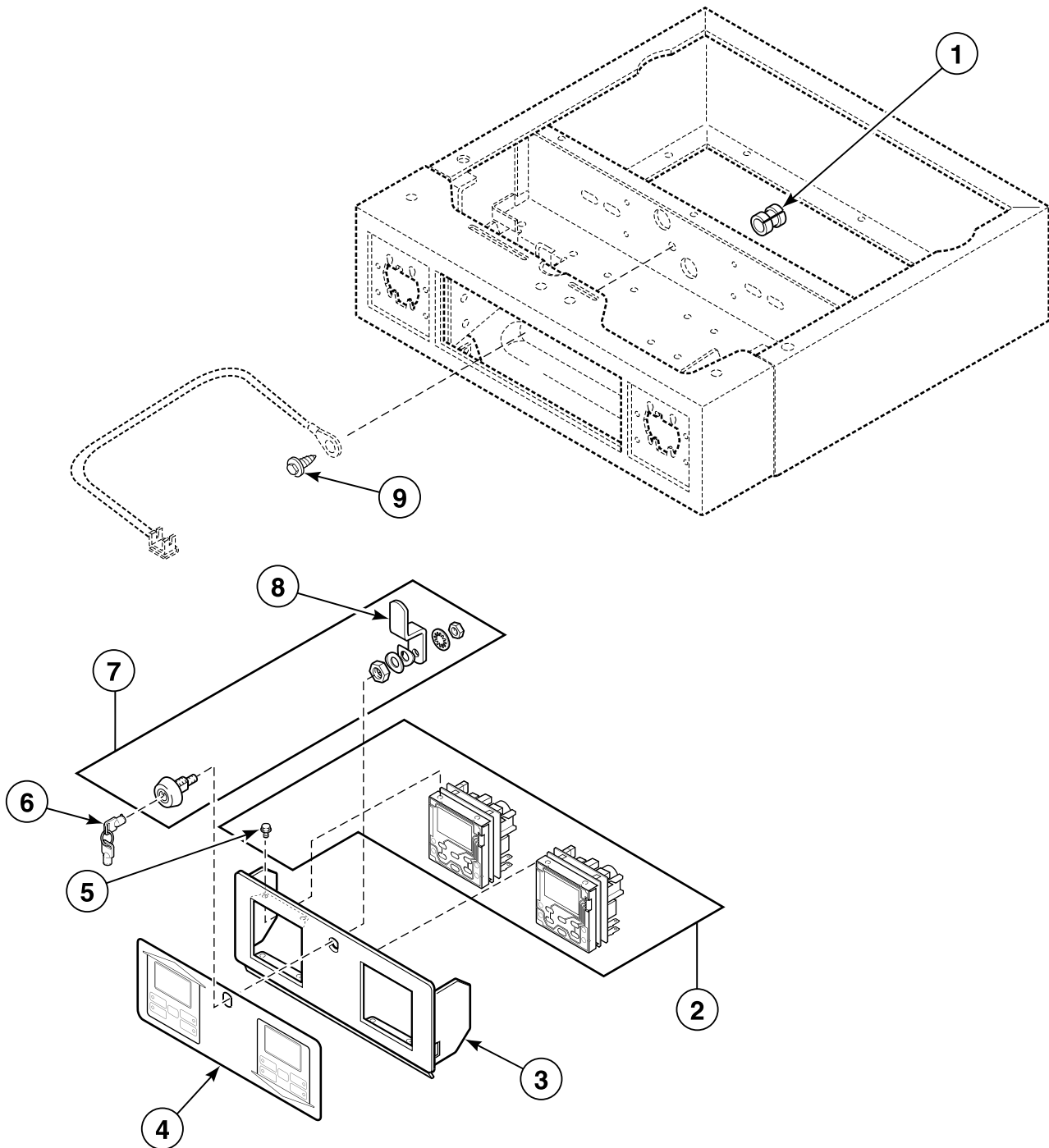
REF	PART NO.	DESCRIPTION	COMMENTS
1	52113	Strain Relief	Models SSG409*A, SSG409*D, SSG419*A, SSG419*D, SSG509*A and SSG519*A
	N/A	Strain Relief	Models SSE407*A, SSE407*A1500, SSE407*D, SSE407*D1500, SSE417*A, SSE417*D, SSE507*A, SSE507*A1500, SSE517*A and SSE517*A1500
2	70441601P	Coin Drop	Models SSE507*A, SSE507*A1500, SSE517*A, SSE517*A1500, SSG509*A and SSG519*A
3	29786	Nut	
4	M414050P	Control Kit	Includes item 7
5	N/A	Control Panel	
6	504117	Graphic Overlay	
7	501524	Screw	
8	54612	Key	800
9	27260P	Lock Kit	Includes item 10
10	27261	Lock Cam	

\* Add Letter To Designate Color. L - Almond W - White

N/A = Part no longer available

# Control Panel and Controls - Card Reader Ready

Models SSE607\*C, SSE607\*C1500, SSE607\*D, SSE607\*D1500, SSE617\*C, SSE617\*D,  
SSG609\*C, SSG609\*D, SSG619\*C and SSG619\*D



DRY2128P\_505028

## Control Panel and Controls - Card Reader Ready

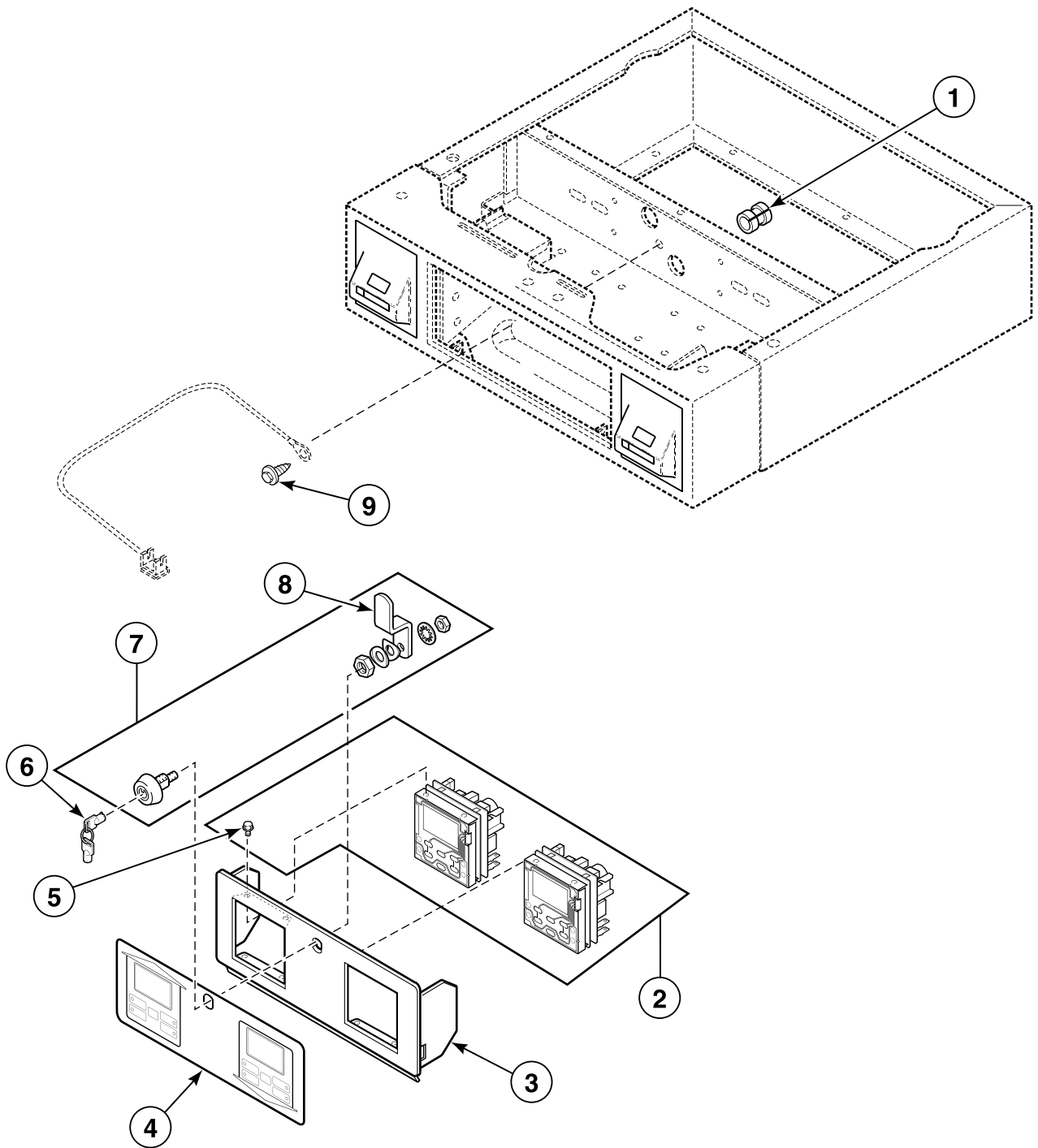
REF	PART NO.	DESCRIPTION	COMMENTS
1	52113	Strain Relief	Models SSG609*C, SSG609*D, SSG619*C and SSG619*D
	N/A	Strain Relief	Models SSE607*C, SSE607*C1500, SSE607*D, SSE607*D1500, SSE617*C and SSE617*D
2	M414050P	Control Kit	Includes item 5
3	N/A	Control Panel	
4	504117	Graphic Overlay	
5	501524	Screw	
6	54612	Key	800
7	27260P	Lock Kit	Includes item 8
8	27261	Lock Cam	
9	20530	Screw	

\* Add Letter To Designate Color. L - Almond W - White

N/A = Part no longer available

# Control Panel and Controls - Card Reader Installed

Models SSE707\*A, SSE717\*A, SSG709\*A and SSG719\*A



DRY2129P\_505028

## Control Panel and Controls - Card Reader Installed

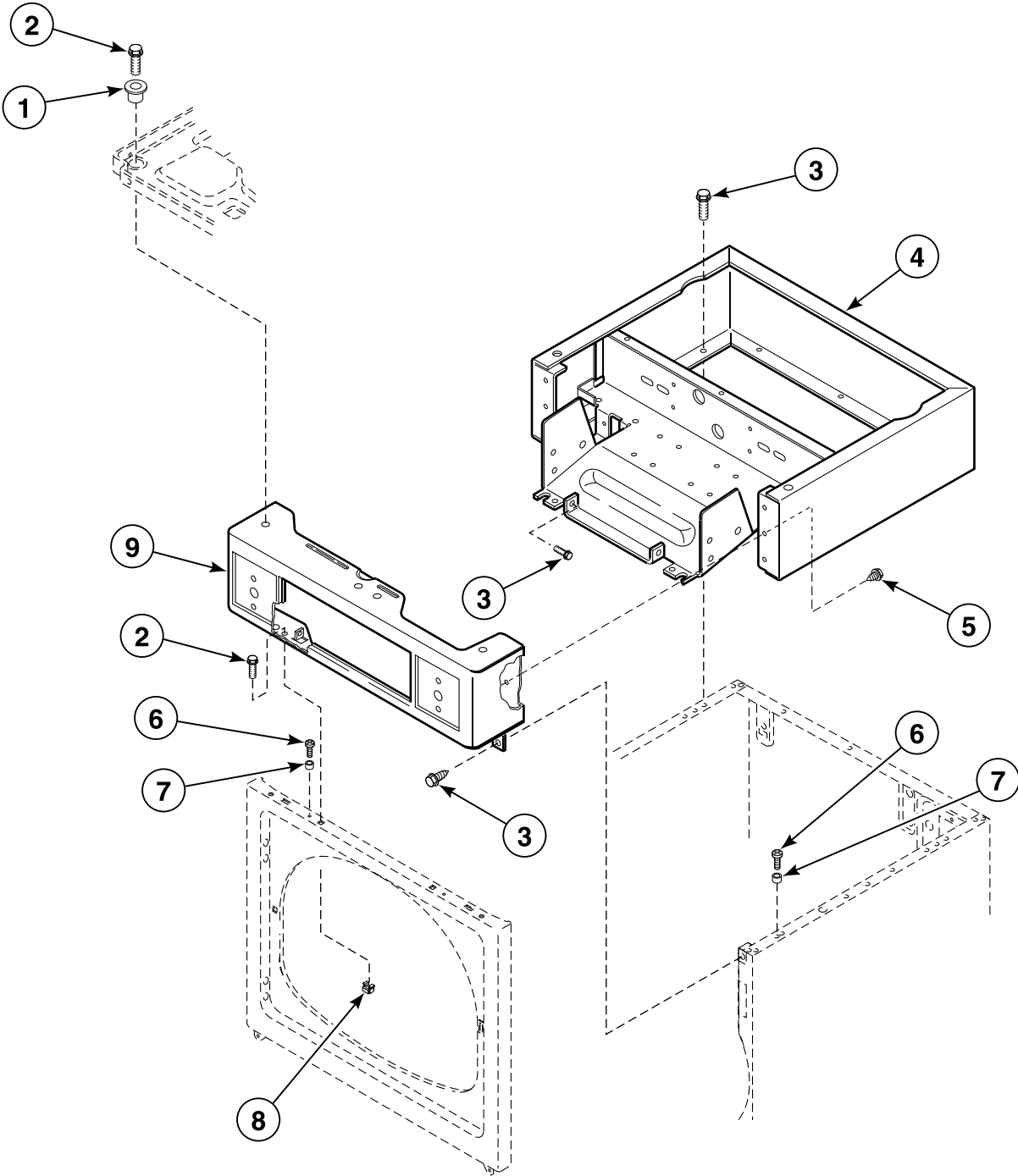
REF	PART NO.	DESCRIPTION	COMMENTS
1	52113	Strain Relief	Models SSG709*A and SSG719*A
	N/A	Strain Relief	Models SSE707*A and SSE717*A
2	M414050P	Control Kit	Includes item 5
3	N/A	Control Panel	
4	504117	Graphic Overlay	
5	501524	Screw	
6	54612	Key	800
7	27260P	Lock Kit	Includes item 8
8	27261	Lock Cam	
9	20530	Screw	

\* Add Letter To Designate Color. L - Almond W - White

N/A = Part no longer available

# Control Cabinet - Nonmetered

Models SSE007\*A, SSE007\*A1500, SSG009\*A, USE007\*A and USG009\*A



D332P\_505028



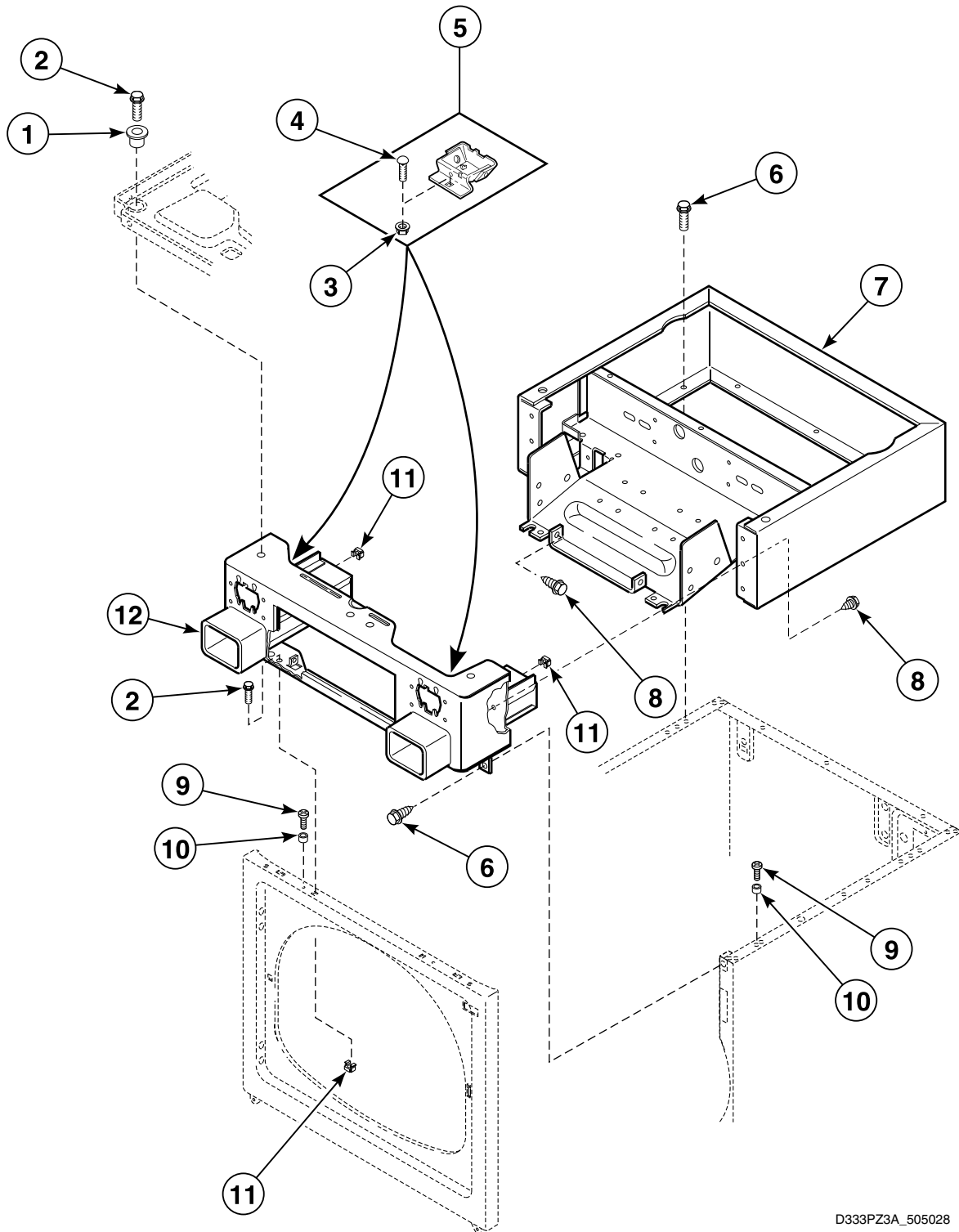
## Control Cabinet - Nonmetered

REF	PART NO.	DESCRIPTION	COMMENTS
1	501307	Washer	
2	502431	Screw	
3	503661	Screw	
4	505753WP	Wrapper and Channel Assembly	White
5	503688	Screw	
6	39733	Screw	
7	56079	Panel Locator	
8	80077	Nut	
9	500225WP	Security Cabinet Front	White
	500225LP	Security Cabinet Front	Almond

\* Add Letter To Designate Color. L - Almond W - White

# Control Cabinet - Coin Slide Ready

Models HSE117\*A, HSE117\*C, HSG119\*A, HSG119\*C, SSE107\*A, SSE107\*A1500, SSE117\*A, SSE117\*A1500, SSE307\*A, SSE307\*A1500, SSG109\*A, SSG119\*A and SSG309\*A



D333PZ3A\_505028

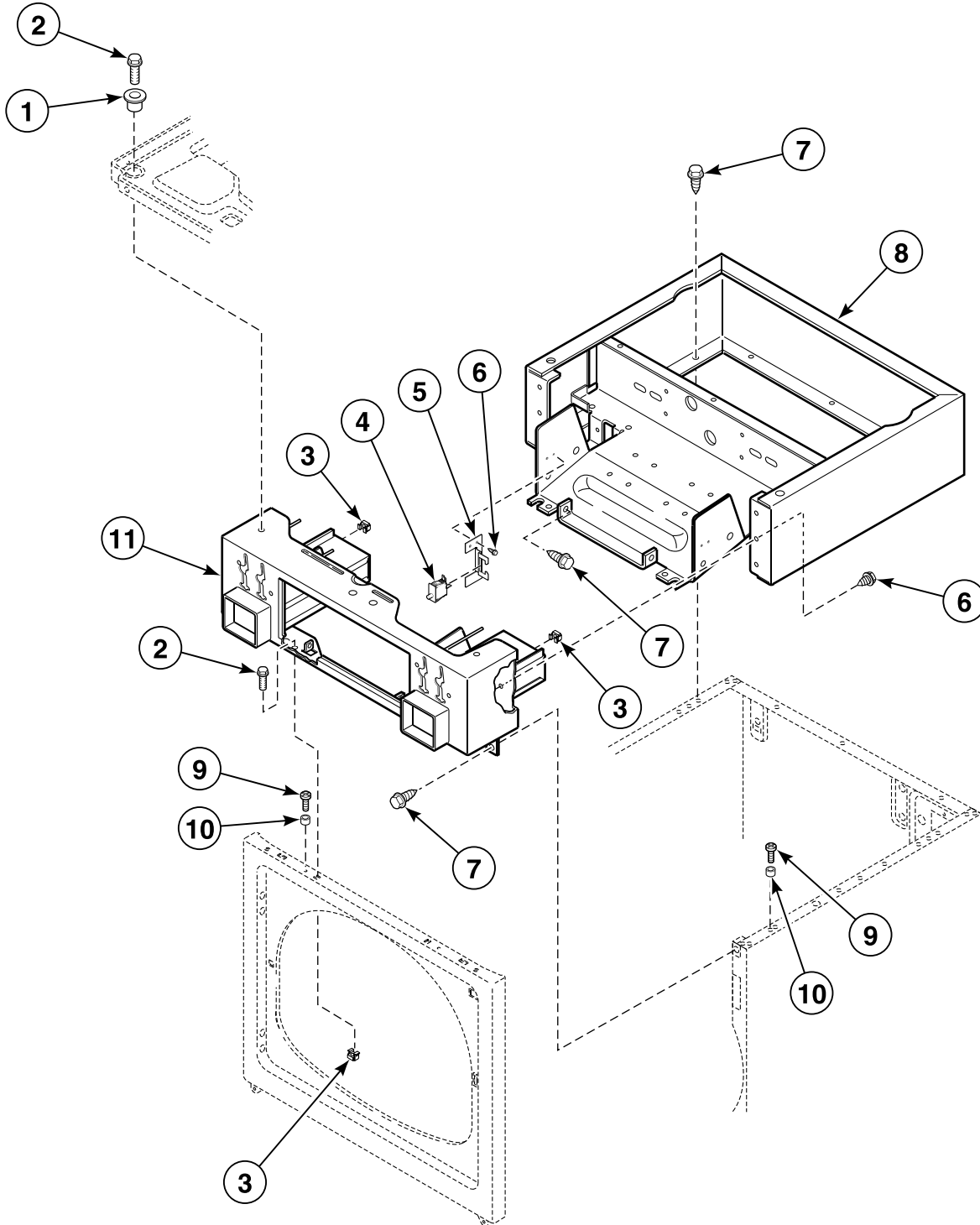
## Control Cabinet - Coin Slide Ready

REF	PART NO.	DESCRIPTION	COMMENTS
1	501307	Washer	
2	502431	Screw	
3	29796	Nut	
4	29651	Bolt	
5	523P3	Coin Funnel Kit	Includes items 3 and 4
6	503661	Screw	
7	505753WP	Wrapper and Channel Assembly	White
8	503688	Screw	
9	39733	Screw	
10	56079	Panel Locator	
11	80077	Nut	
12	511522WP	Security Cabinet Front Assembly	White
	511522LP	Security Cabinet Front Assembly	Almond

\* Add Letter To Designate Color. L - Almond W - White

# Control Cabinet - Coin Drop

Models SSE407\*A, SSE407\*A1500, SSE407\*D, SSE407\*D1500, SSE417\*A, SSE417\*D, SSE507\*A, SSE507\*A1500, SSE517\*A, SSE517\*A1500, SSG409\*A, SSG409\*D, SSG419\*A, SSG419\*D, SSG509\*A and SSG519\*A



D354P\_505028

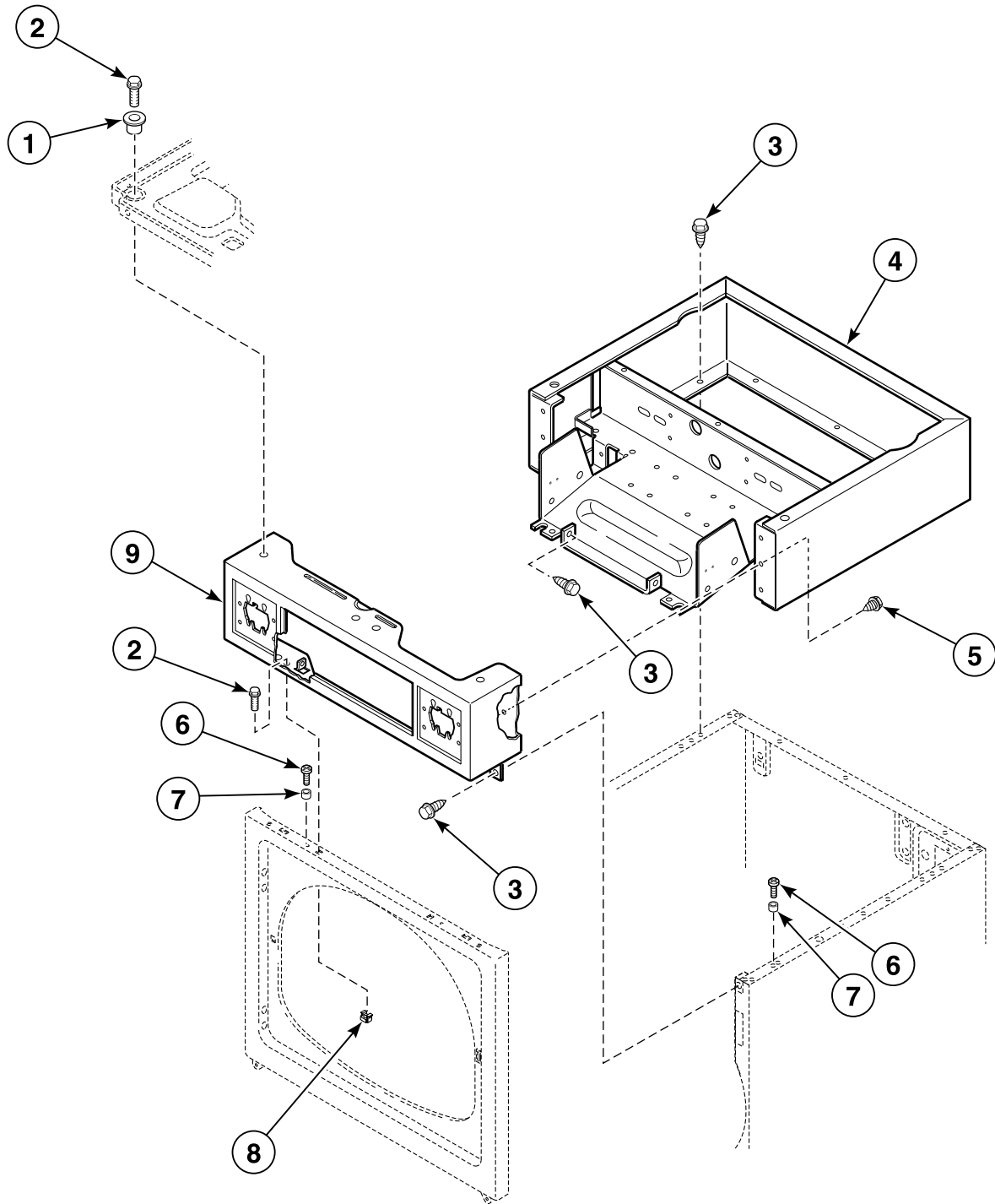
## Control Cabinet - Coin Drop

REF	PART NO.	DESCRIPTION	COMMENTS
1	501307	Washer	
2	502431	Screw	
3	80077	Nut	
4	504570	Switch	
5	38087	Door Switch Bracket	
6	503688	Screw	
7	503661	Screw	
8	505753WP	Wrapper and Channel Assembly	White
9	39733	Screw	
10	56079	Panel Locator	
11	511632WP	Security Cabinet Front Assembly	White

\* Add Letter To Designate Color. L - Almond W - White

# Control Cabinet - Card Reader Ready

Models SSE607\*C, SSE607\*C1500, SSE607\*D, SSE607\*D1500, SSE617\*C, SSE617\*D,  
SSG609\*C, SSG609\*D, SSG619\*C and SSG619\*D



D355P\_505028

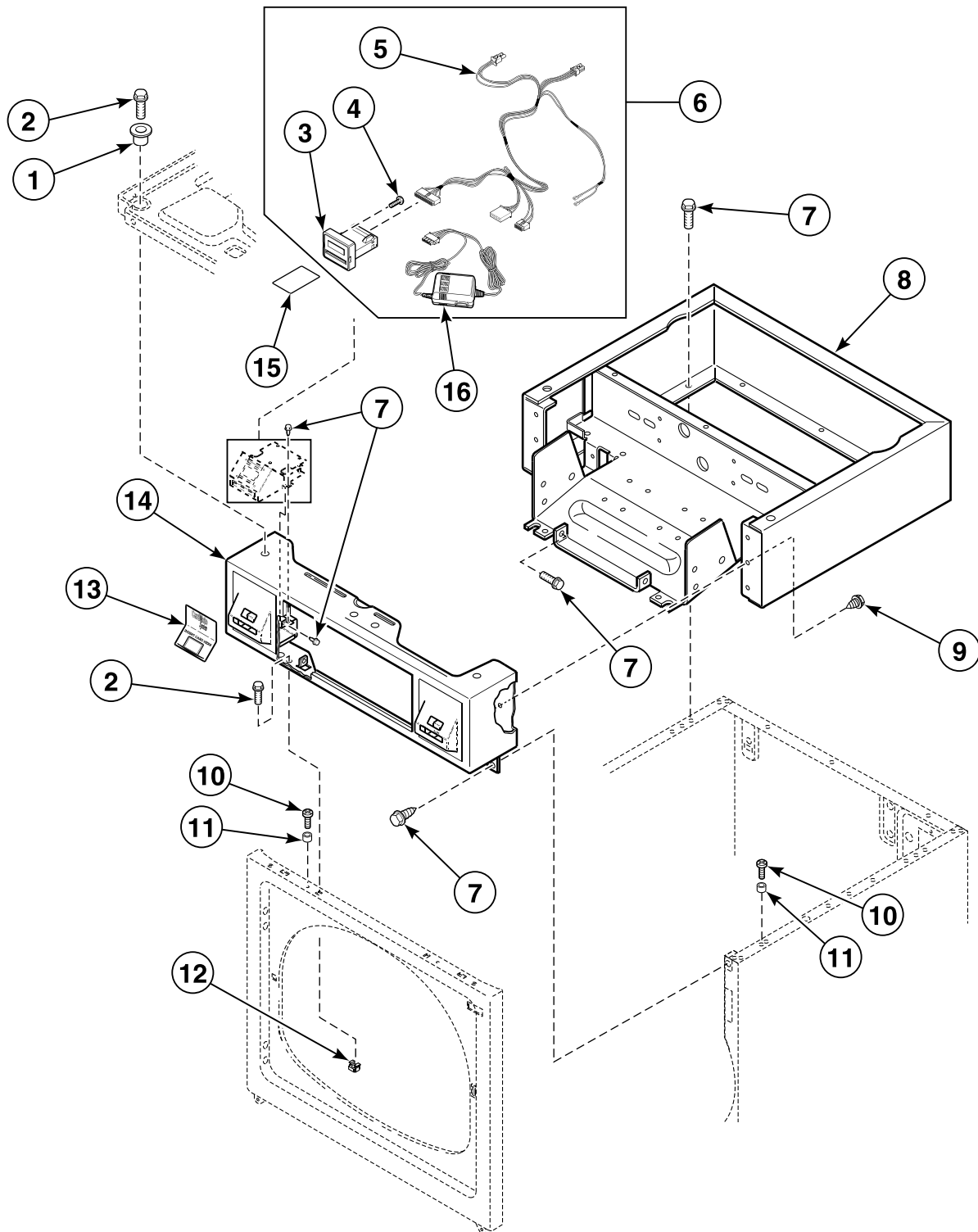
## Control Cabinet - Card Reader Ready

REF	PART NO.	DESCRIPTION	COMMENTS
1	501307	Washer	
2	502431	Screw	
3	503661	Screw	
4	505753WP	Wrapper and Channel Assembly	White
5	503688	Screw	
6	39733	Screw	
7	56079	Panel Locator	
8	80077	Nut	
9	505227W	Security Cabinet Front Assembly	White

\* Add Letter To Designate Color. L - Almond W - White

# Control Cabinet - Card Reader Installed

Models SSE707\*A, SSE717\*A, SSG709\*A and SSG719\*A



DRY2021P\_505028



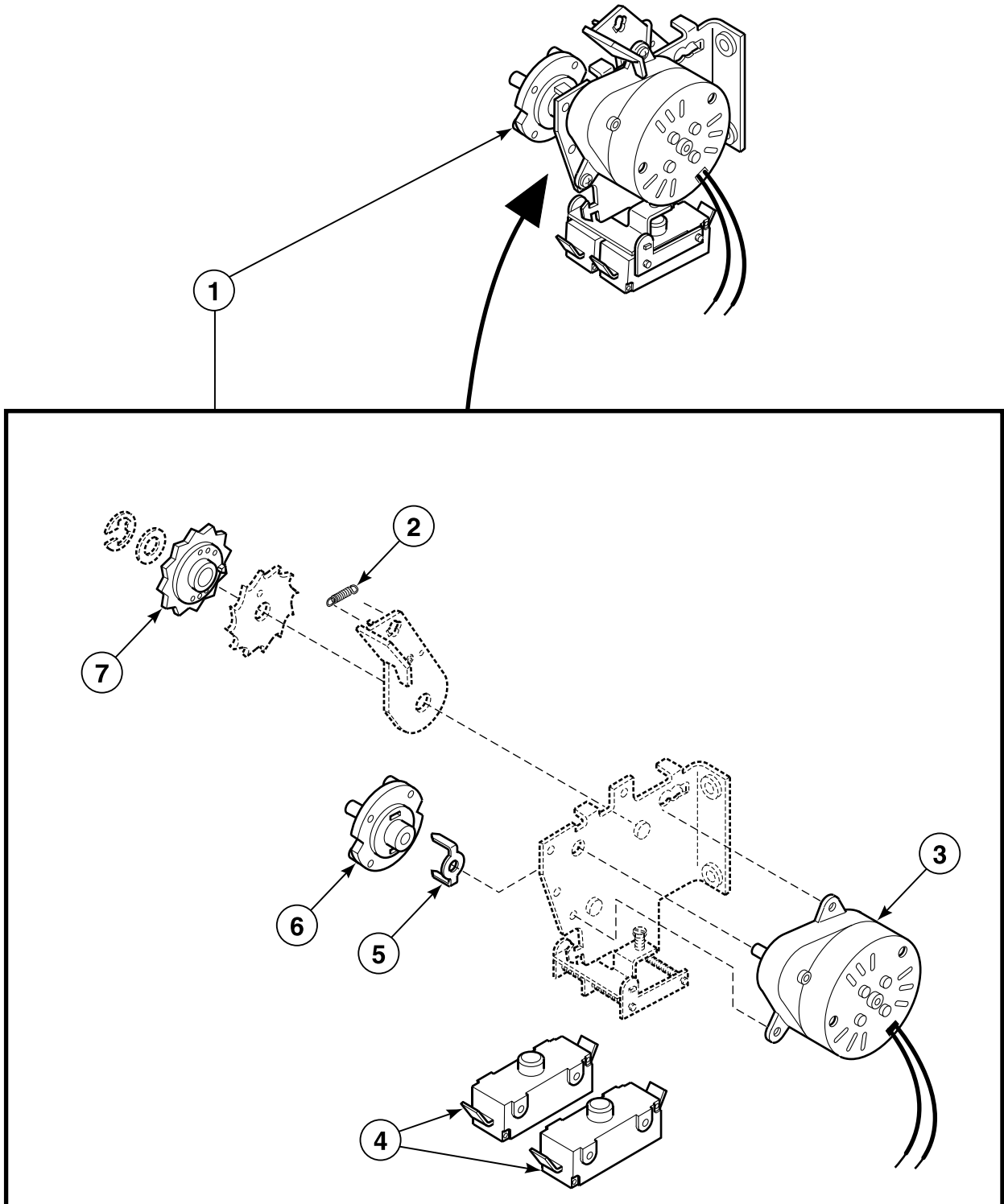
## Control Cabinet - Card Reader Installed

REF	PART NO.	DESCRIPTION	COMMENTS
1	501307	Washer	
2	502431	Screw	
3	512473	Card Reader	
4	512505	Bolt	
5	512501	Harness	
6	875P3	Card Reader Kit	Includes items 3-5 and 16
7	503661	Screw	
8	505753WP	Wrapper and Channel Assembly	White
9	503688	Screw	
10	39733	Screw	
11	56079	Panel Locator	
12	80077	Nut	
13	38192	Card Reader Instruction Overlay	
14	503428W	Security Cabinet Front Assembly	White; For use with 39685 Card Reader
	505227W	Security Cabinet Front Assembly	White; For use with 875P3 Card Reader Kit
15	512499P	Programming Card	
16	512496	Power Supply	

\* Add Letter To Designate Color. L - Almond W - White

## 2 Switch Timer

Models HSE117\*A, HSE117\*C, HSG119\*A, HSG119\*C, SSE107\*A, SSE107\*A1500,  
SSE117\*A, SSE117\*A1500, SSG109\*A and SSG119\*A



D362P\_505028

## 2 Switch Timer

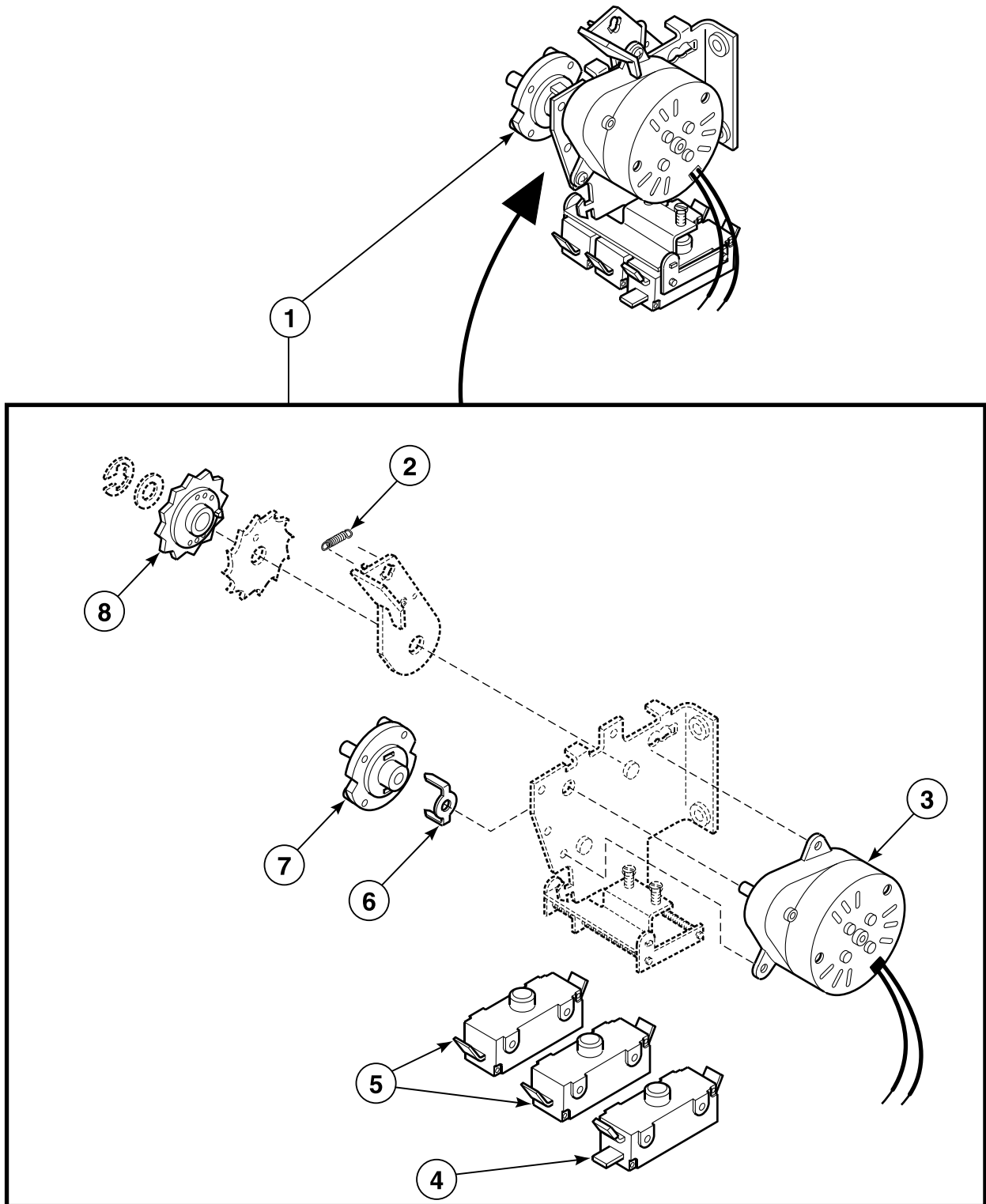
REF	PART NO.	DESCRIPTION	COMMENTS
1	510628P	Accumulator Replacement Kit	
2	N/A	Pawl Spring	
3	512017P	Timer Motor	
4	N/A	Switch	
5	M400754	Coin Meter Drive	
6	53240	Timing Cam	60 minute; 3 pin
	53241	Timing Cam	45 minute; 4 pin
	53242	Timing Cam	30 minute; 6 pin
	53243	Timing Cam	20 minute; 9 pin
7	53239	Ratchet Wheel	

\* Add Letter To Designate Color. L - Almond W - White

N/A = Part no longer available

# 3 Switch Timer

Models SSE307\*A, SSE307\*A1500 and SSG309\*A



D363P\_505028

### 3 Switch Timer

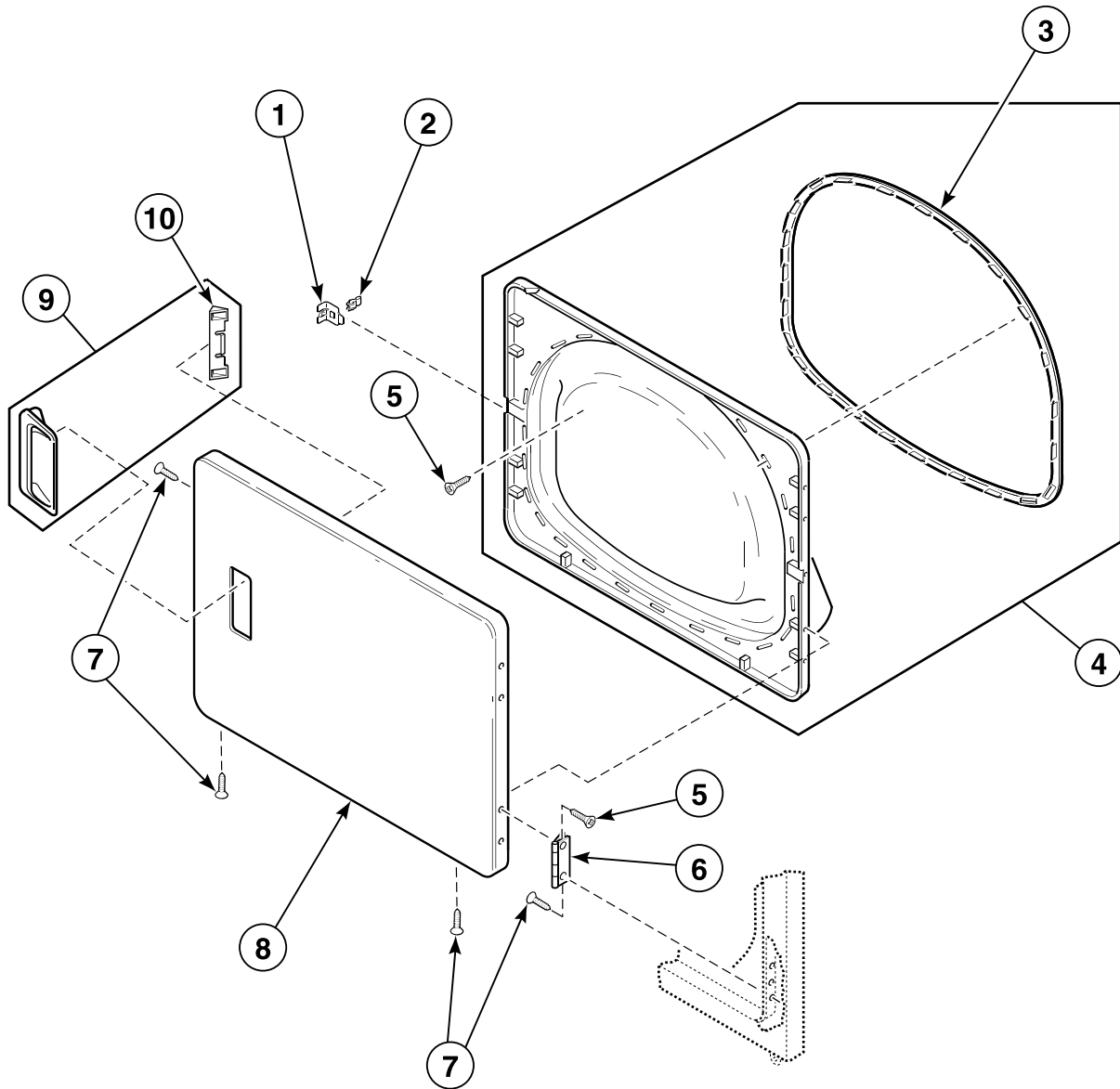
REF	PART NO.	DESCRIPTION	COMMENTS
1	510630P	Accumulator Replacement Kit	
2	N/A	Pawl Spring	
3	512017P	Timer Motor	
4	N/A	Snap Switch	
5	N/A	Switch	
6	M400754	Coin Meter Drive	
7	53240	Timing Cam	60 minute; 3 pin
	53241	Timing Cam	45 minute; 4 pin
	53242	Timing Cam	30 minute; 6 pin
	53243	Timing Cam	20 minute; 9 pin
8	53239	Ratchet Wheel	

\* Add Letter To Designate Color. L - Almond W - White

N/A = Part no longer available

# Loading Door without Window

Models SSE007\*A, SSE007\*A1500, SSE107\*A, SSE107\*A1500, SSE307\*A, SSE307\*A1500, SSE407\*A, SSE407\*A1500, SSE407\*D, SSE407\*D1500, SSE507\*A, SSE507\*A1500, SSE607\*C, SSE607\*C1500, SSE607\*D, SSE607\*D1500, SSE707\*A, SSG009\*A, SSG109\*A, SSG309\*A, SSG409\*A, SSG409\*D, SSG509\*A, SSG609\*C, SSG609\*D, SSG709\*A, USE007\*A and USG009\*A



DRY1737P\_505028

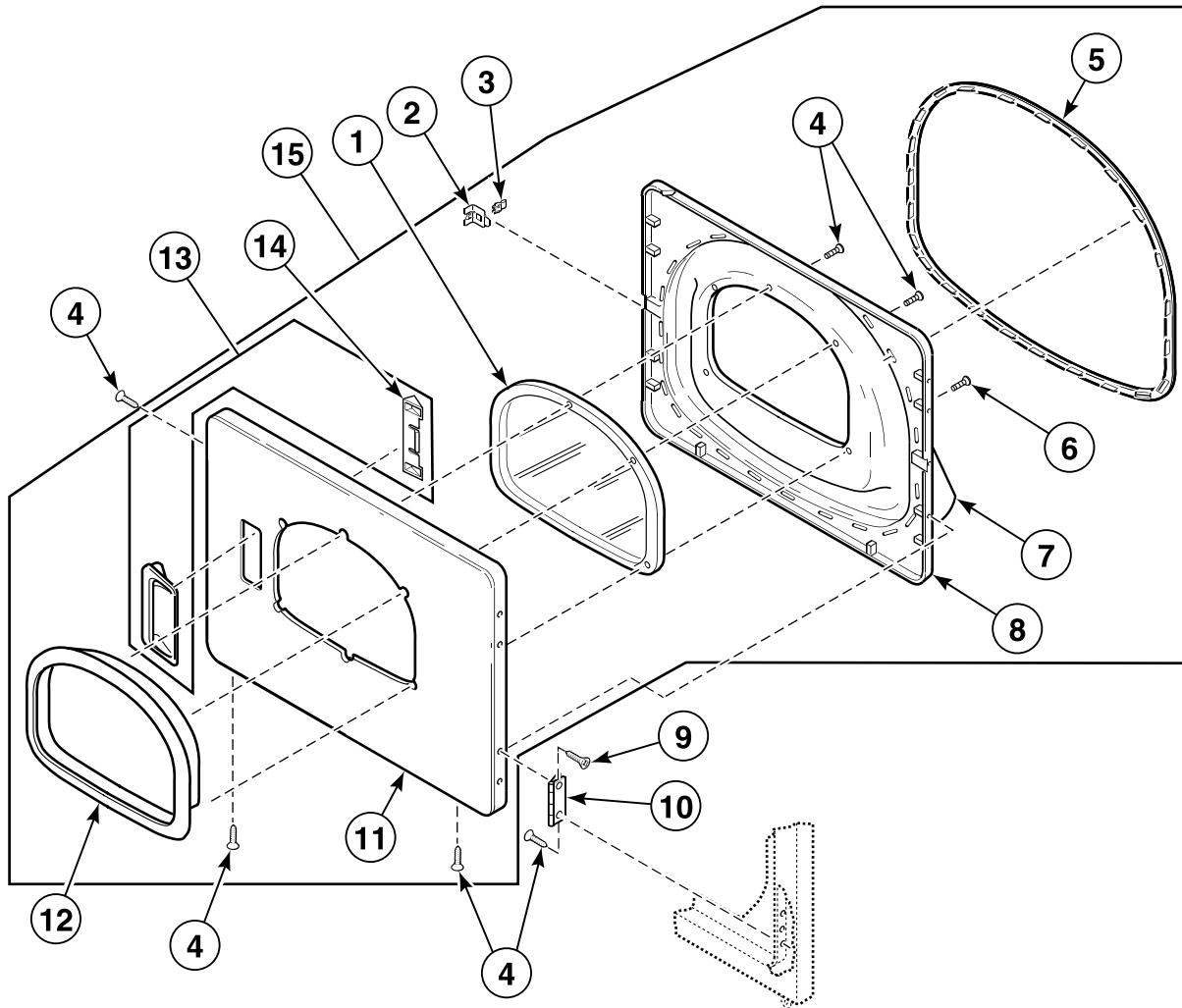
## Loading Door without Window

REF	PART NO.	DESCRIPTION	COMMENTS
1	510127	Door Strike Mount	
2	510181	Door Strike	
3	510147P	Liner Door Seal	
4	510163WP	Liner, Seal and Grill Assembly	Includes item 3
5	505295	Screw	
6	511036	Hinge	
7	500226	Screw	
8	510013WP	Dryer Door	White
	510013LP	Dryer Door	Almond
9	510103WP	Door Pull and Wedge Kit	Includes item 10; White
	510103LP	Door Pull and Wedge Kit	Includes item 10; Almond
10	510129	Door Handle Wedge	

\* Add Letter To Designate Color. L - Almond W - White

# Loading Door with Window

Models HSE117\*A, HSE117\*C, HSG119\*A, HSG119\*C, SSE117\*A, SSE117\*A1500, SSE417\*A, SSE417\*D, SSE517\*A, SSE517\*A1500, SSE617\*C, SSE617\*D, SSE717\*A, SSG119\*A, SSG419\*A, SSG419\*D, SSG519\*A, SSG619\*C, SSG619\*D and SSG719\*A



D357P\_505028

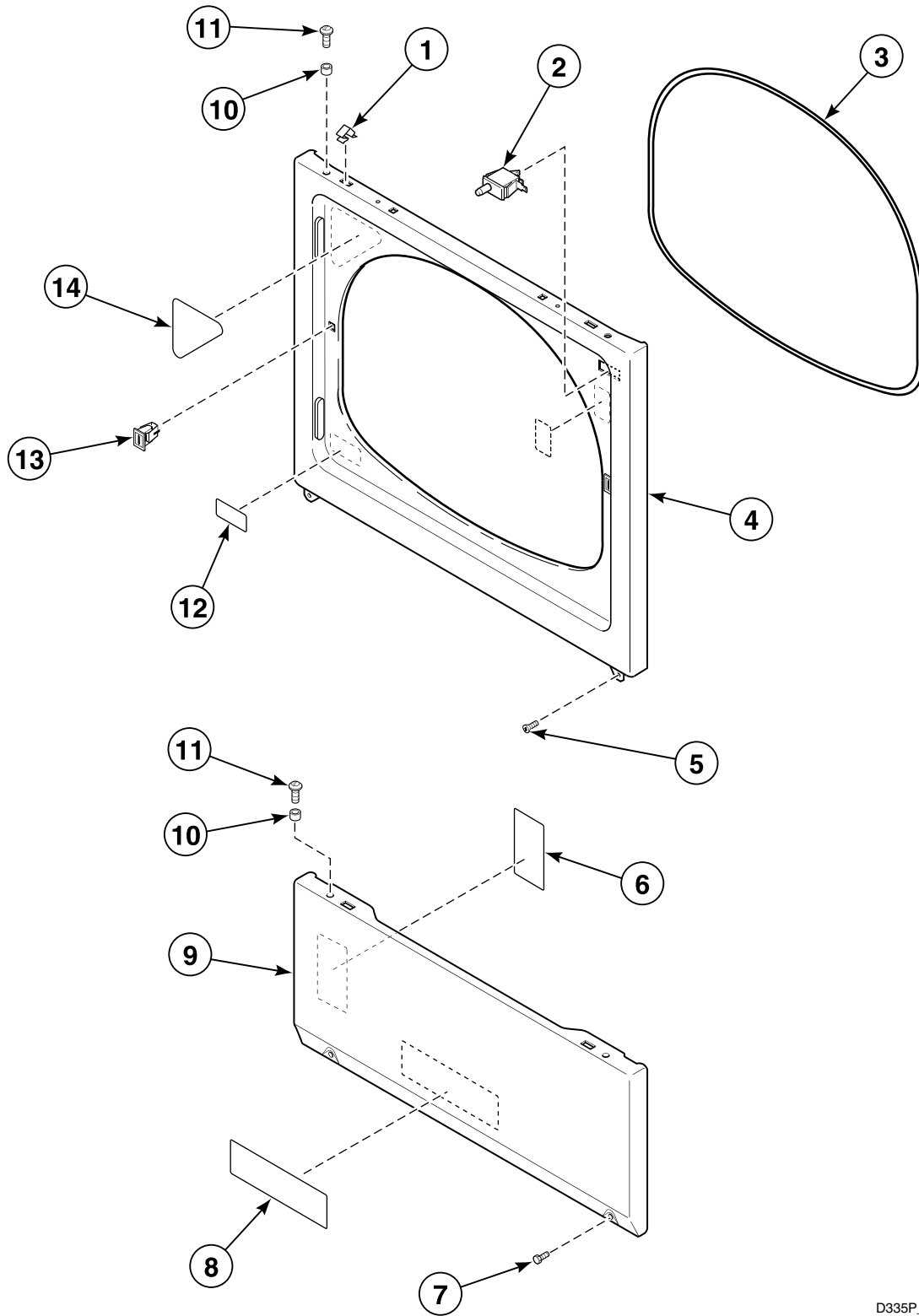


## Loading Door with Window

REF	PART NO.	DESCRIPTION	COMMENTS
1	503982	Dryer Door Window	
2	510127	Door Strike Mount	
3	510181	Door Strike	
4	500226	Screw	
5	510147P	Liner Door Seal	
6	505870	Screw	
7	503870W	Door Liner Grill	
8	510098W	Liner and Seal Assembly	Includes item 5
9	505295	Screw	
10	511036	Hinge	
11	510082WP	Dryer Door	White
	510082LP	Dryer Door	Almond
12	503981W	Window Trim	White
	503981L	Window Trim	Almond
13	510103WP	Door Pull and Wedge Kit	Includes item 14; White
	510103LP	Door Pull and Wedge Kit	Includes item 14; Almond
14	510129	Door Handle Wedge	
15	511636WP	Door and Liner Assembly	White; Includes items 1-8 and 11-14
	511636LP	Door and Liner Assembly	Almond; Includes items 1-8 and 11-14

\* Add Letter To Designate Color. L - Almond W - White

# Access Panel, Front Panel and Seal



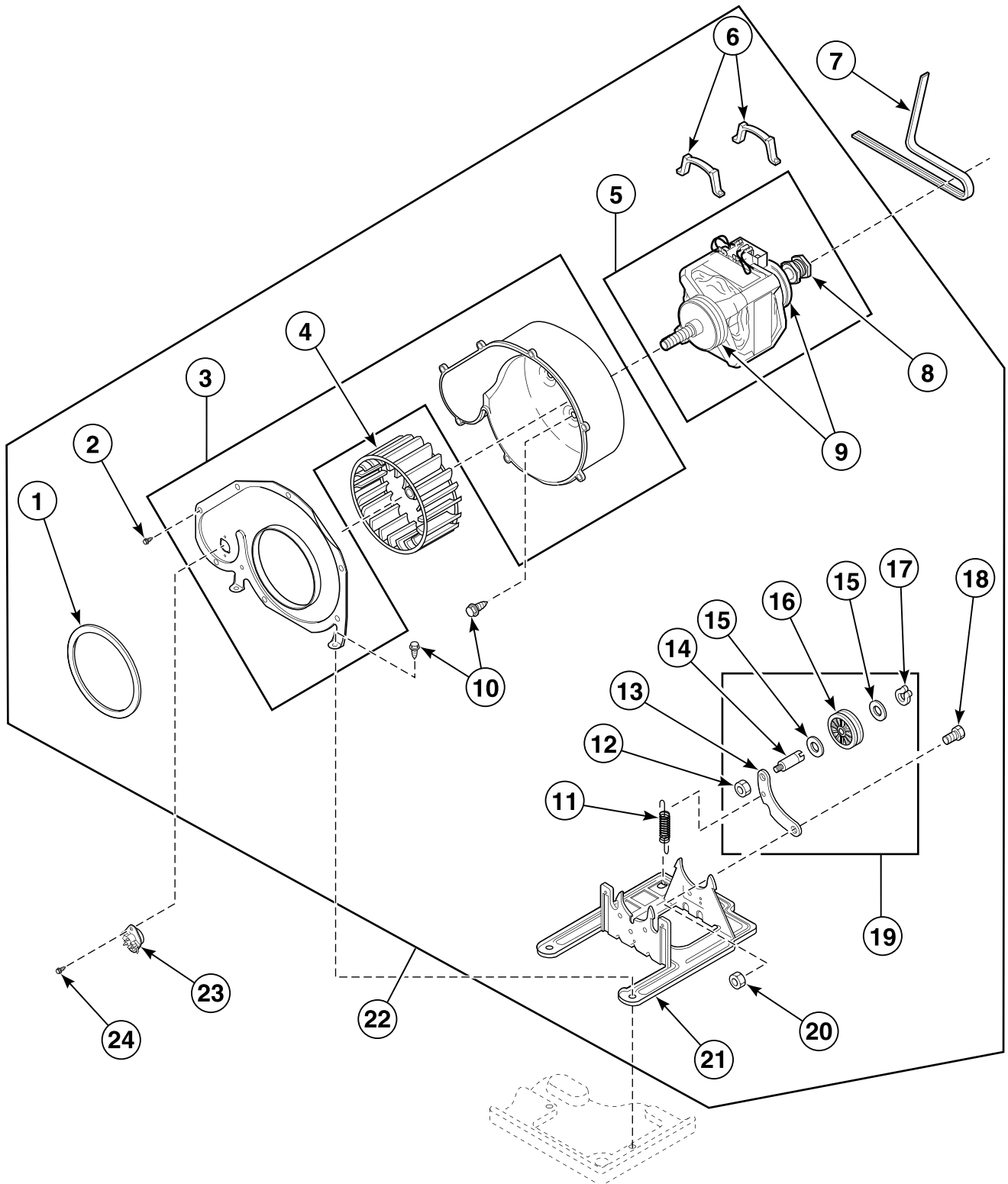
D335P\_505028

## Access Panel, Front Panel and Seal

REF	PART NO.	DESCRIPTION	COMMENTS
1	28835	Speed Clip	Upper dryer
2	504570	Switch	
3	511056	Front Panel Seal	
4	510066WP	Front Panel	White
	510066LP	Front Panel	Almond
5	503661	Screw	
6	502791	Venting Instruction Label	Gas models
7	33562	Screw	
	62853	Screw	Optional for added security
8	500498	Instructions for Use Label	Models SSE007*A, SSE007*A1500, SSG009*A, USE007*A and USG009*A
9	510069WP	Access Panel	White
	510069LP	Access Panel	Almond
10	56079	Panel Locator	
11	39733	Screw	
12	502804	Clean Lint Label	
13	510177	Door Catch Assembly	
14	500281	Warning/Caution Label	

\* Add Letter To Designate Color. L - Almond W - White

# Motor, Exhaust Fan and Belt



D320P\_505028

## Motor, Exhaust Fan and Belt

REF	PART NO.	DESCRIPTION	COMMENTS
	27604P	Anti-seize Compound	Apply to motor shaft when installing blower fan assembly
1	510238P	Blower Housing Seal	
2	31260	Screw	
3	511969P	Blower Housing and Cover Kit	Includes 6 of item 2
4	510139P	Blower Fan Assembly	
5	511629P	Motor and Pulley Assembly	Includes items 8 and 9; Apply anti-seize compound to motor shaft when installing blower fan assembly
6	510180	Motor Mount Clamp	
7	511255P	Cylinder Belt	
8	500011	Motor Pulley	
9	590P3	Motor Hub Ring Kit	
10	503661	Screw	
11	510185	Idler Spring	
12	56156	Nut	
13	510133	Idler Lever	
14	56461P	Shaft	
15	52549	Washer	
16	510142P	Idler Wheel and Bearing Assembly	
17	23748	Retaining Ring	
18	500824	Screw	
19	510158	Idler Lever and Wheel Assembly	Includes items 12-15 and 17
20	52566	Nut	
21	510060	Motor Mount	
22	510717P	Blower and Fan Kit	Includes items 1-6 and 8-21
23	504515	Thermostat	Green; Models HSE117*A, HSE117*C, HSG119*A, HSG119*C, SSE007*A, SSE007*A1500, SSE107*A, SSE107*A1500, SSE117*A, SSE117*A1500, SSE307*A, SSE307*A1500, SSG009*A, SSG109*A, SSG119*A, SSG309*A, USE007*A and USG009*A
	510523	Thermistor Assembly	Black; Models SSE407*A, SSE407*A1500, SSE407*D, SSE407*D1500, SSE417*A, SSE417*D, SSE507*A, SSE507*A1500, SSE517*A, SSE517*A1500, SSE607*C, SSE607*C1500, SSE607*D, SSE607*D1500, SSE617*C, SSE617*D, SSE707*A, SSE717*A, SSG409*A, SSG409*D, SSG419*A, SSG419*D, SSG509*A, SSG519*A, SSG609*C, SSG609*D, SSG619*C, SSG619*D, SSG709*A and SSG719*A
24	502535	Screw	Use with 510523 Thermistor Assembly

\* Add Letter To Designate Color. L - Almond W - White

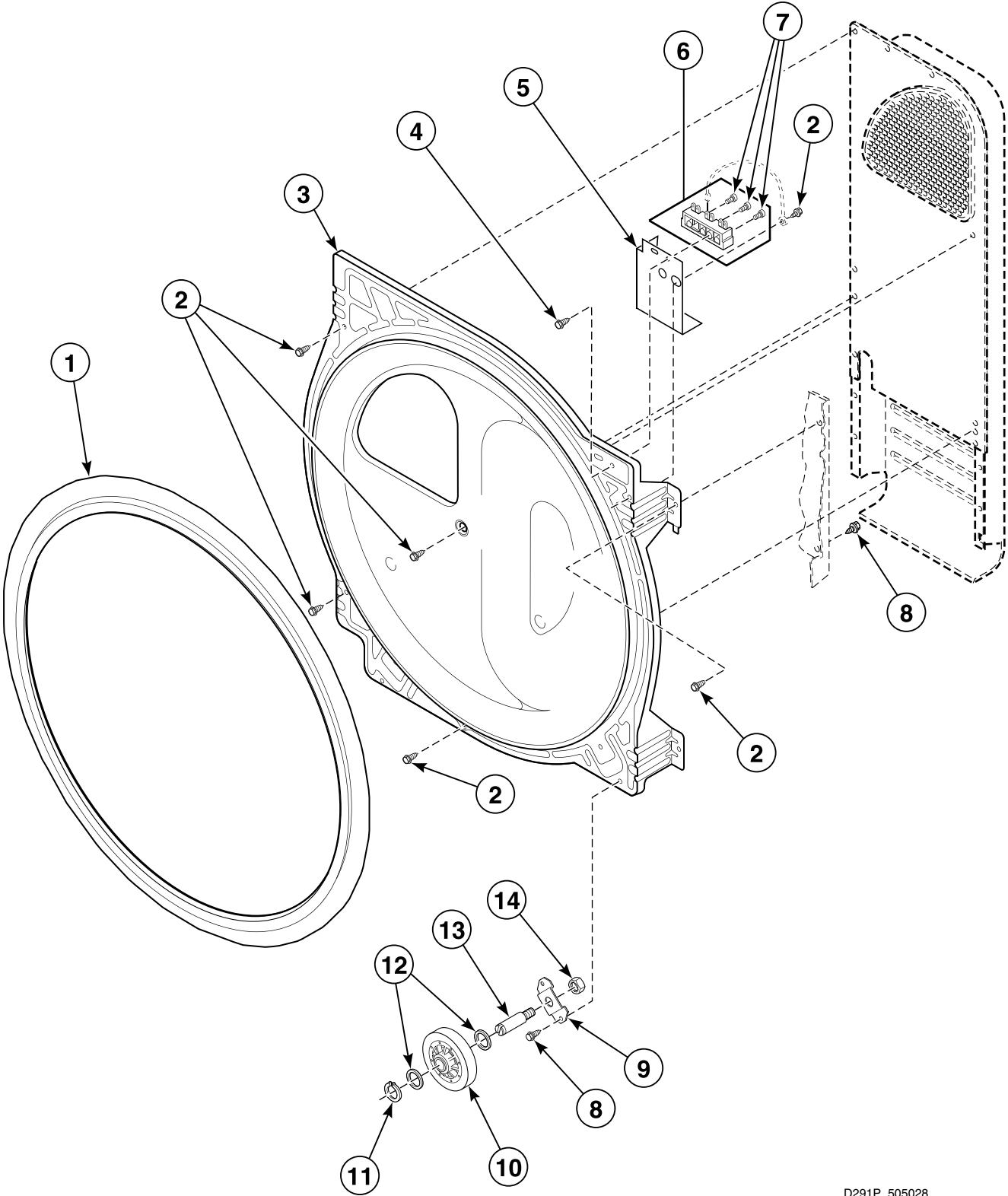


## Front Bulkhead, Air Duct, Felt Seal and Cylinder

REF	PART NO.	DESCRIPTION	COMMENTS
	511637P	Adhesive	Apply to cylinder seal
<b>1</b>	510266P	Front Bulkhead Assembly	Includes items 2 and 12-14
<b>2</b>	510207P	Cylinder Seal Assembly	
<b>3</b>	503703P	Cylinder Baffle	
<b>4</b>	510265P	Cylinder Assembly	Includes (3) of item 3 and (6) of item 5
<b>5</b>	62588	Screw	
<b>6</b>	500226	Screw	
<b>7</b>	503688	Screw	
<b>8</b>	510151	Air Duct Assembly	
<b>9</b>	503980	Lint Filter	
<b>10</b>	501285	Screw	
<b>11</b>	70058501	Pop Rivet	
<b>12</b>	510145	Cylinder Glide Bracket	
<b>13</b>	510189	Felt Pad	
<b>14</b>	510187	Cylinder Glide	2 required per side

\* Add Letter To Designate Color. L - Almond W - White

# Rear Bulkhead, Felt Seal, Cylinder Roller and Terminal Block



D291P\_505028



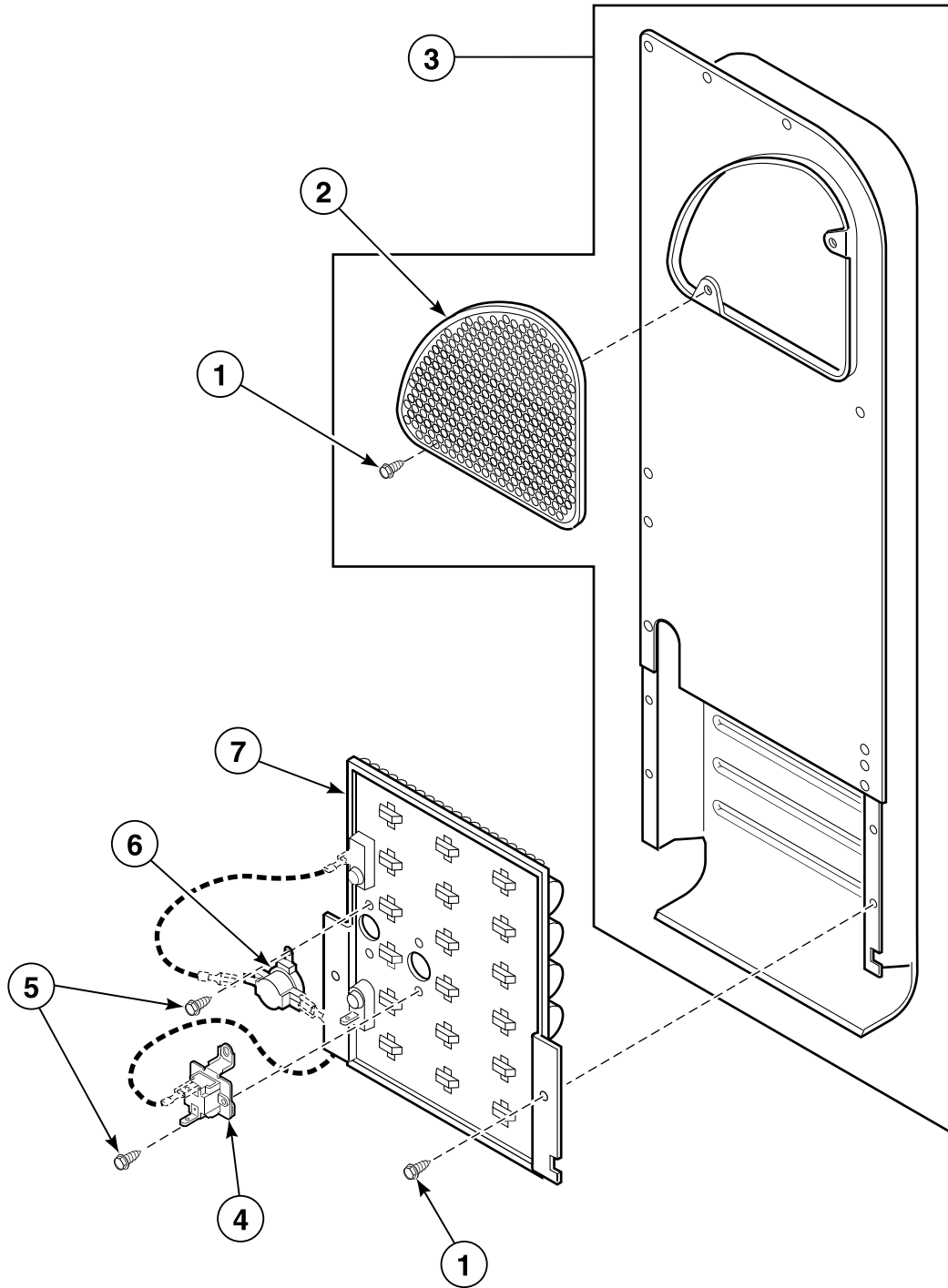
## Rear Bulkhead, Felt Seal, Cylinder Roller and Terminal Block

REF	PART NO.	DESCRIPTION	COMMENTS
	511637P	Adhesive	Apply to cylinder seal
<b>1</b>	510207P	Cylinder Seal Assembly	
<b>2</b>	503661	Screw	
<b>3</b>	511082P	Rear Bulkhead Assembly	Includes item 1
<b>4</b>	501285	Screw	
<b>5</b>	510237	Terminal Block Shield	Electric models
<b>6</b>	510190P	Terminal Block Assembly	Electric models; Includes 3 of item 7
<b>7</b>	61199	Screw	
<b>8</b>	503688	Screw	
<b>9</b>	510100	Cylinder Roller Bracket	
<b>10</b>	510708P	Cylinder Roller	
<b>11</b>	23748	Retaining Ring	
<b>12</b>	52549	Washer	
<b>13</b>	56461P	Shaft	
<b>14</b>	56156	Nut	

\* Add Letter To Designate Color. L - Almond W - White

# Heater Duct and Element Assembly

Electric Models



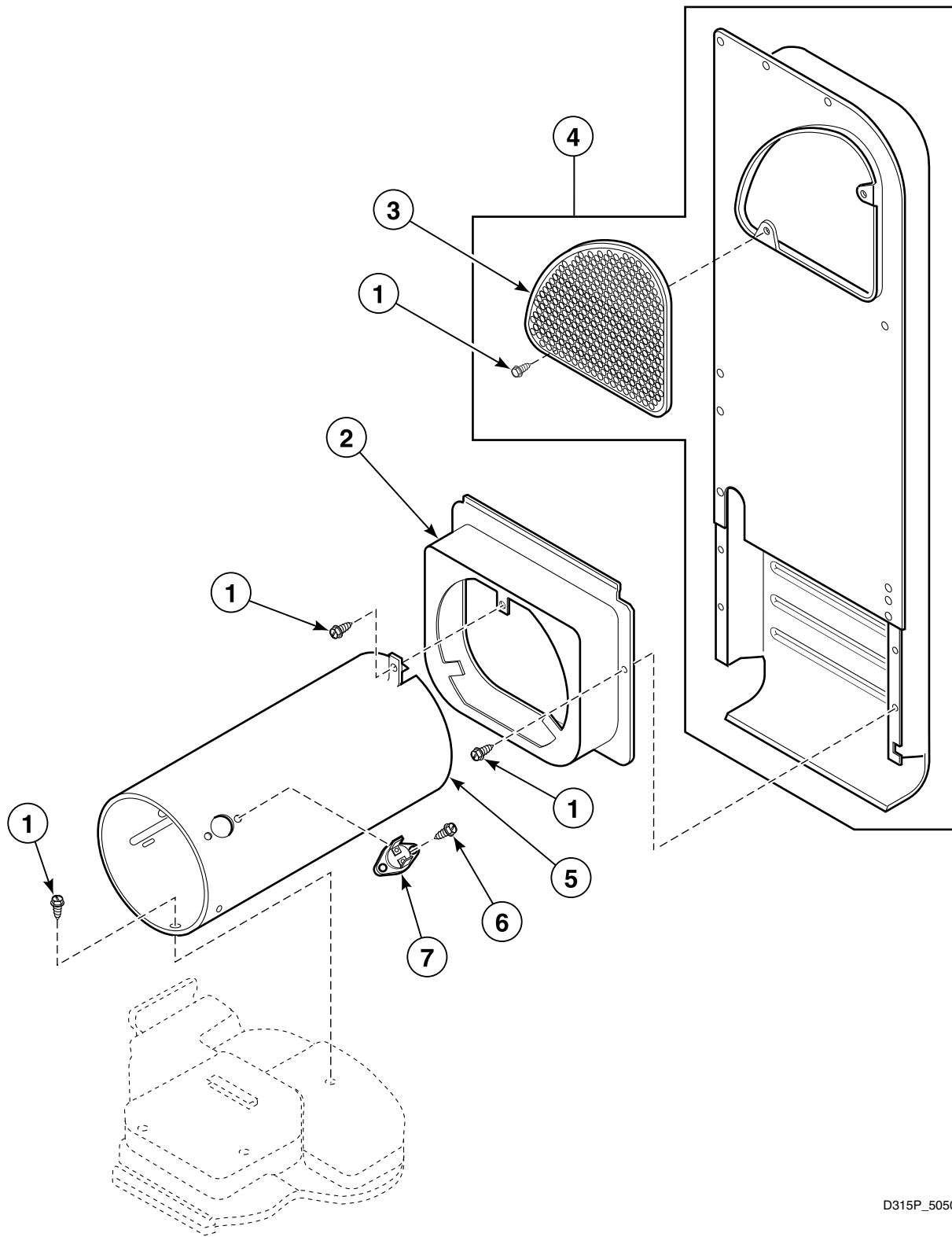
D350P\_505028

# Heater Duct and Element Assembly

REF	PART NO.	DESCRIPTION	COMMENTS
1	503688	Screw	
2	500820	Outlet Cover	
3	510025P	Heater Duct and Screw Assembly	Includes item 2 and (2) of item 1
4	511412	Thermal Fuse Assembly	
5	23222	Screw	
6	510701	Limit Thermostat	
7	510329P	Heater Assembly	Orange
	61928	Heater Kit Assembly	208 Volt; Includes items 4-6

# Heater Duct Assembly

Gas Models



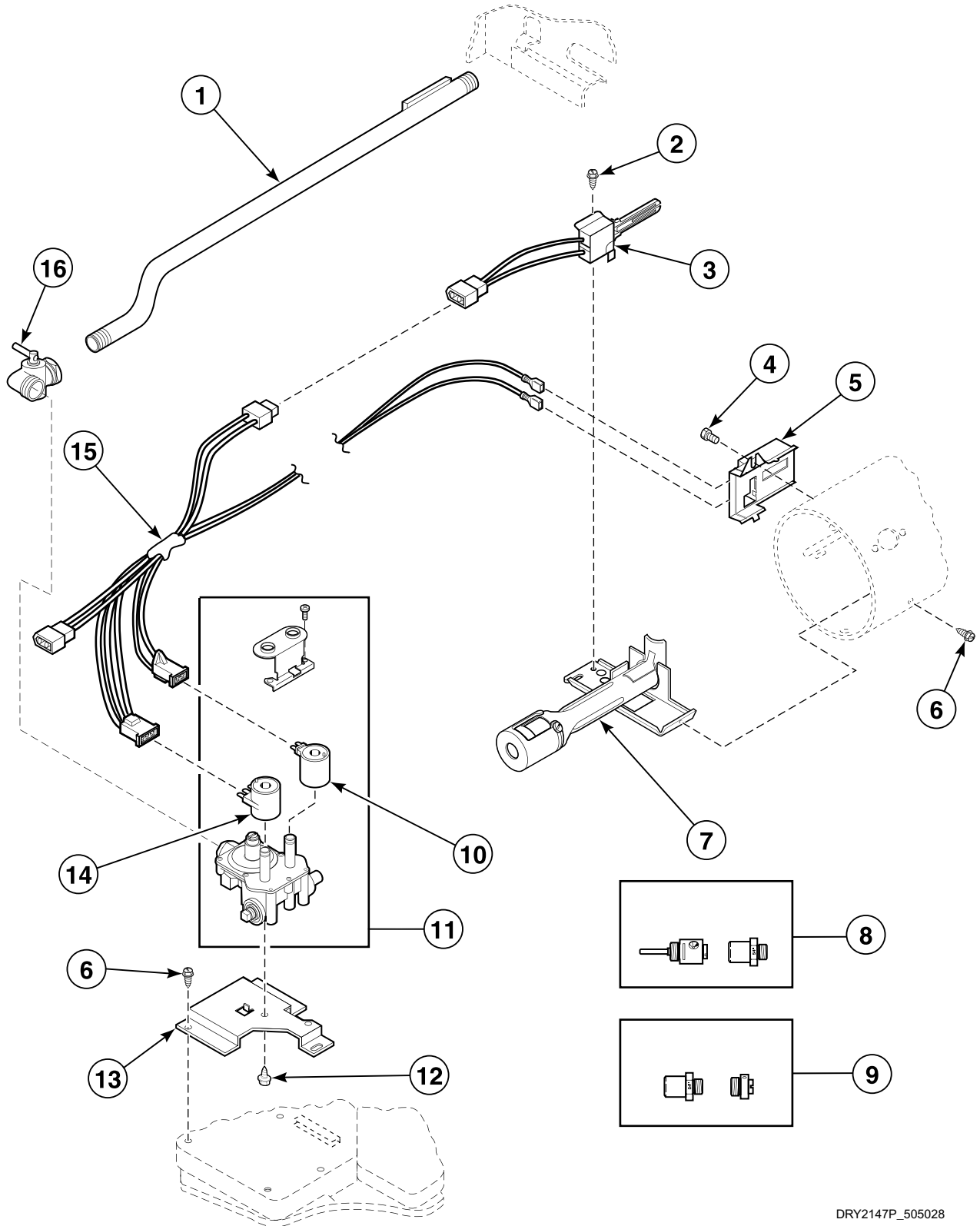
D315P\_505028

# Heater Duct Assembly

REF	PART NO.	DESCRIPTION	COMMENTS
1	503688	Screw	
2	510101	Heat Duct Shroud	
3	500820	Outlet Cover	
4	510025P	Heater Duct and Screw Assembly	Includes item 3 and (2) of item 1
5	510131	Combustion Duct	
6	51782	Screw	
7	510702	Limit Thermostat	Black

# Gas Valve, Igniter and Gas Conversion Kits

Gas Models

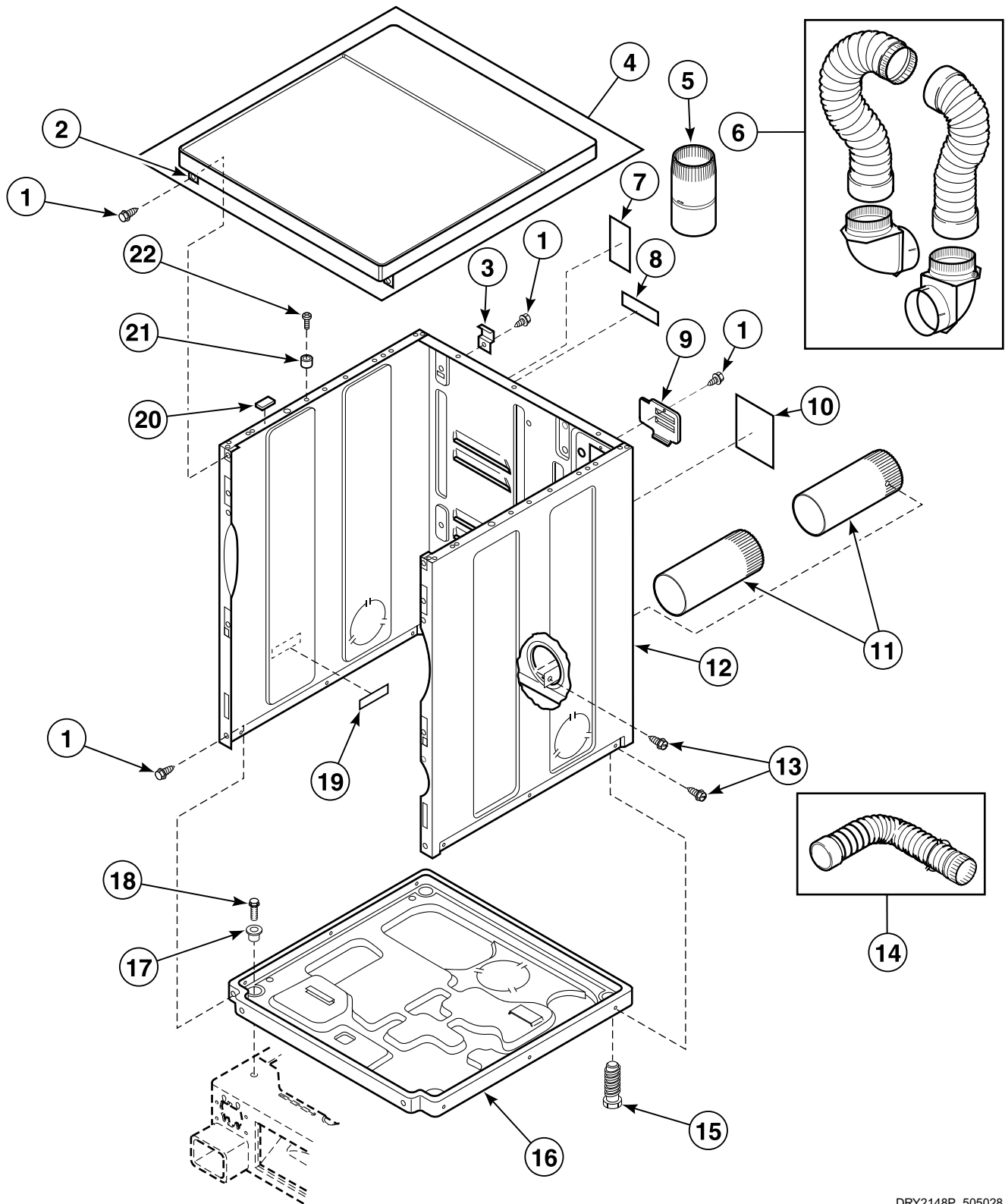


DRY2147P\_505028

## Gas Valve, Igniter and Gas Conversion Kits

REF	PART NO.	DESCRIPTION	COMMENTS
1	510204	Lead-In Pipe Assembly	
2	51782	Screw	
3	510184P	Igniter and Bracket Assembly	
4	23222	Screw	
5	510213	Sensor	
6	503688	Screw	
7	510149P	Burner Assembly	
8	458P3	L.P. Conversion Kit	Used to convert dryers from Natural Gas (N.G.) or Mixed Gas to Liquid Petroleum Gas (L.P.)
9	459P3	N.G. Conversion Kit	Used to convert dryers from L.P. to N.G. or Mixed Gas
10	58804B	Secondary Coil	
11	60353P	Gas Valve Assembly	
12	56124	Screw	
13	510128	Gas Valve Mounting Bracket	
14	58804A	Booster and Holding Coil	
15	510530	Gas Valve Wire Harness Assembly	
16	510205	Elbow Shut-Off Valve	

# Cabinet, Exhaust Duct and Base - Upper Dryer



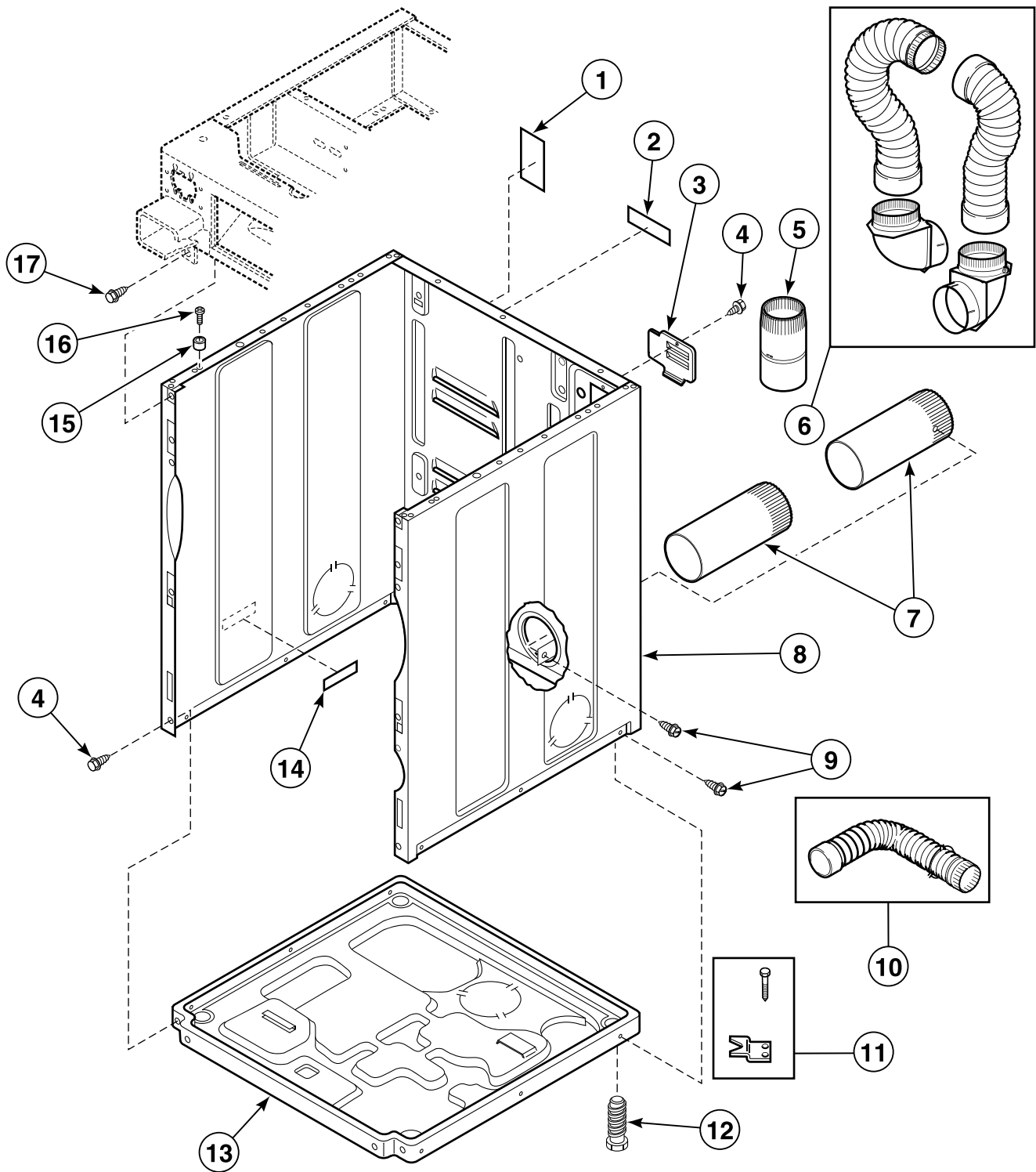
DRY2148P\_505028



## Cabinet, Exhaust Duct and Base - Upper Dryer

REF	PART NO.	DESCRIPTION	COMMENTS
1	503661	Screw	
2	510146	Bracket	
3	510136	Top Hinge	
4	510032WP	Top Kit	Includes 2 of item 2; White
	510032LP	Top Kit	Includes 2 of item 2; Almond
5	58786	Damper	Use when connecting to a manifold vent system
6	521P3	Flexible Venting Kit	
7	511004	Gas Clearance Label	Gas models
8	505281	Disconnect Power Warning Label	
9	510903	Access Panel Plate	
10	511005	Electric Clearance Label	Electric models
11	510137	Exhaust Duct	
12	727P3W	Panel Kit	White
	727P3L	Panel Kit	Almond
13	503688	Screw	
14	528P3	Directional Exhaust Kit	Used to vent dryer out the sides or bottom
15	510135	Leveling Leg	Rear
16	510084	Dryer Base	
17	501307	Washer	
18	502431	Screw	
19	61294	Fuse Notice Label	Electric models
20	56128	Bumper Pad	
21	56079	Panel Locator	
22	39733	Screw	

# Cabinet, Exhaust Duct and Base - Lower Dryer



DRY2149P\_505028

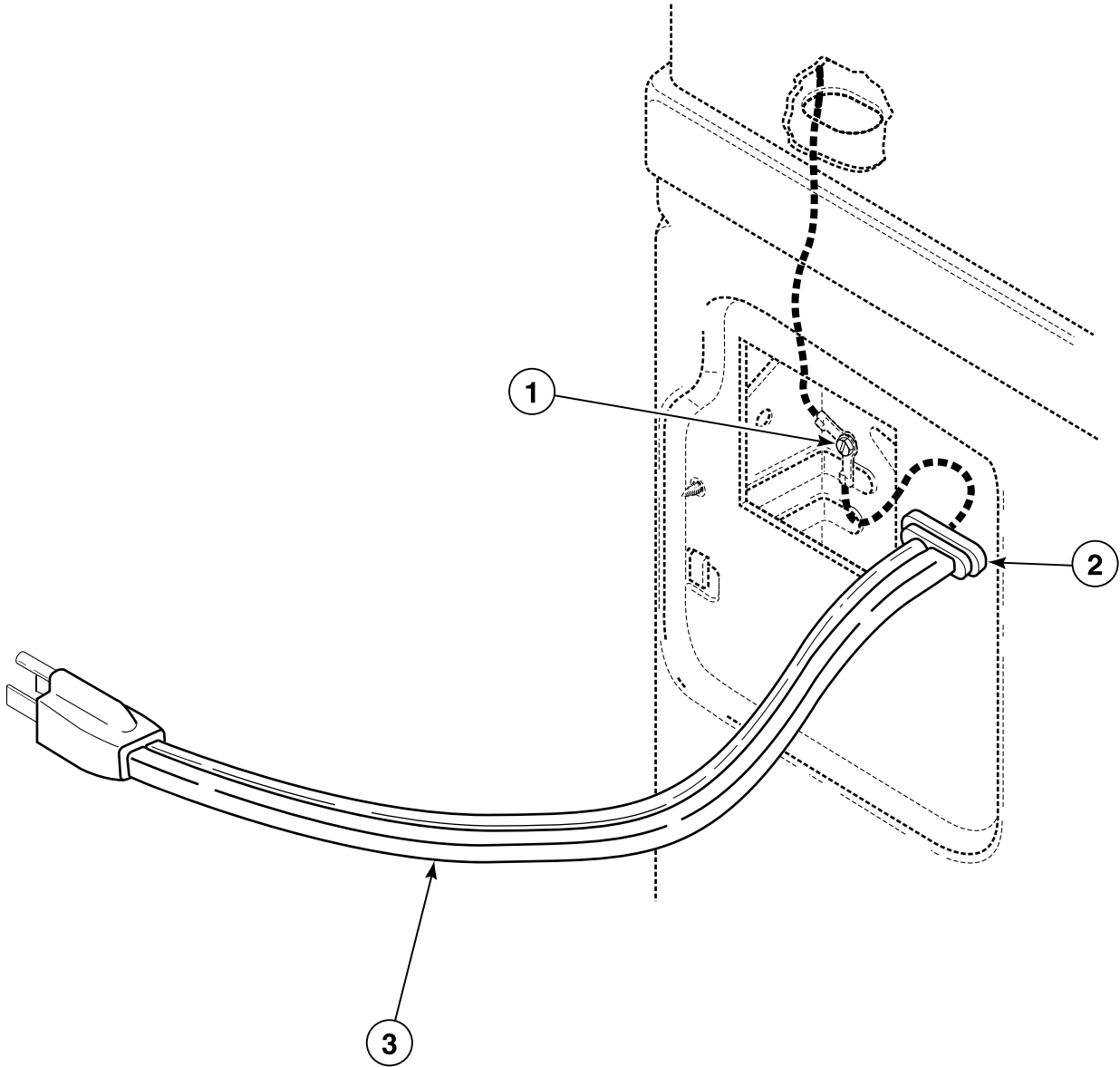
## Cabinet, Exhaust Duct and Base - Lower Dryer

REF	PART NO.	DESCRIPTION	COMMENTS
1	511004	Gas Clearance Label	Gas models
2	N/A	Label	
3	510903	Access Panel Plate	
4	503661	Screw	
5	58786	Damper	Use when connecting to a manifold vent system
6	521P3	Flexible Venting Kit	
7	510137	Exhaust Duct	
8	727P3W	Panel Kit	White
	727P3L	Panel Kit	Almond
9	503688	Screw	
10	528P3	Directional Exhaust Kit	Used to vent dryer out the sides or bottom
11	526P3	Hold Down Kit	For mobile home installations
12	510135	Leveling Leg	
13	510084	Dryer Base	
14	61294	Fuse Notice Label	Electric models
15	56079	Panel Locator	
16	39733	Screw	
17	33562	Screw	

**N/A = Part no longer available**

# Lead-In Cord

Gas Models

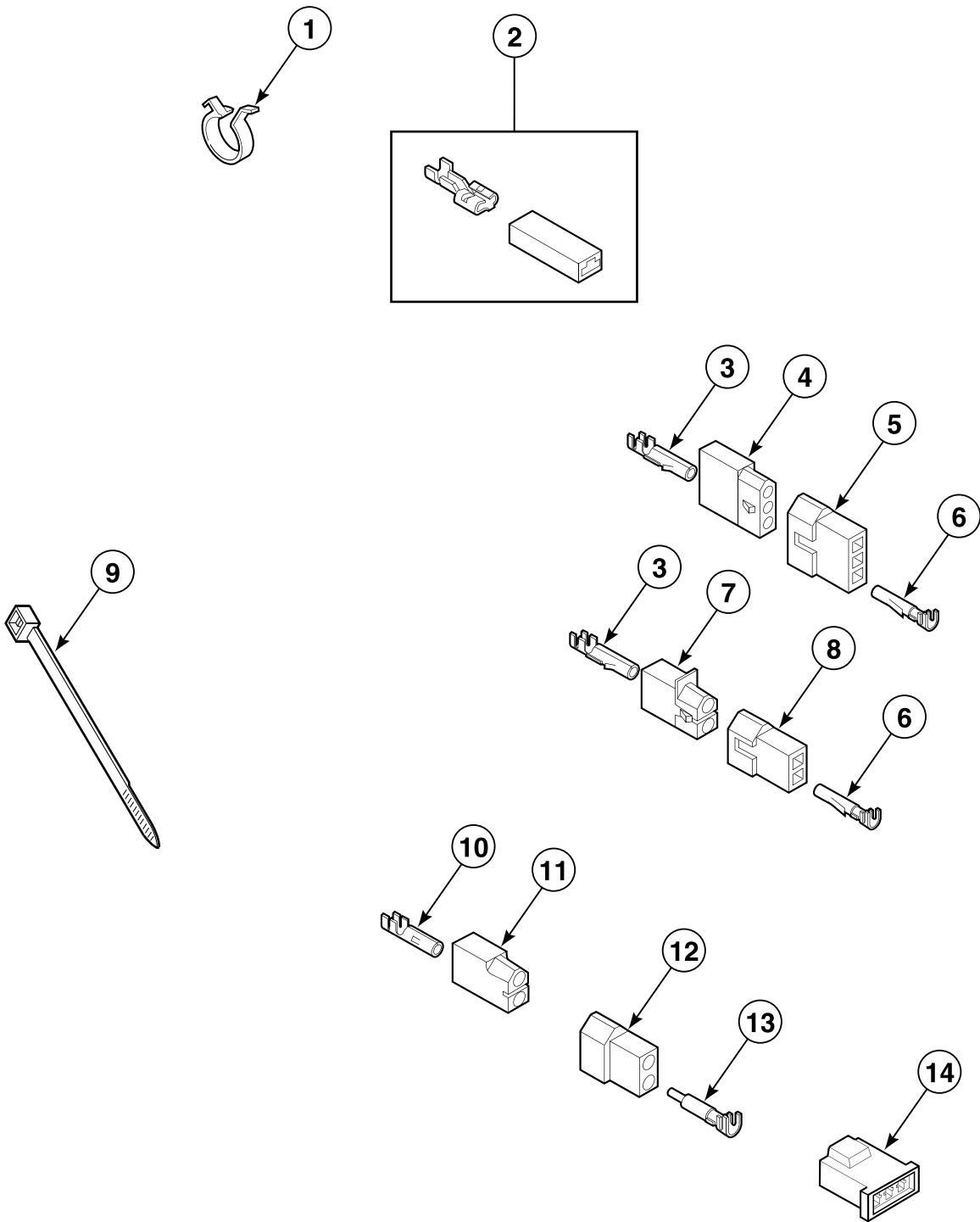


D298P\_505028

# Lead-In Cord

REF	PART NO.	DESCRIPTION	COMMENTS
1	20530	Screw	
2	38384	Strain Relief	
3	59308	Lead-In Cord	

# Terminal Block and Terminals

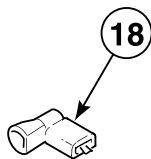
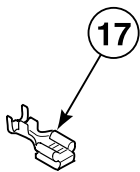
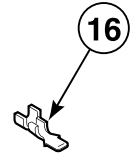
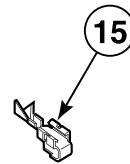
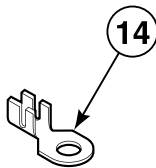
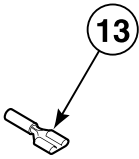
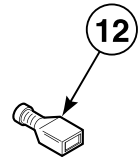
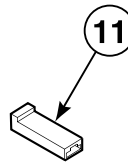
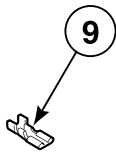
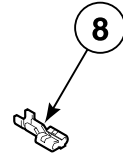
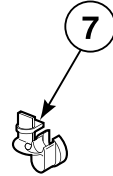
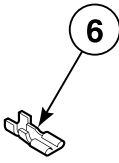
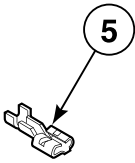
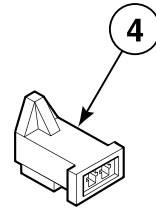
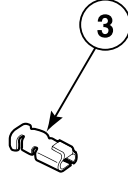
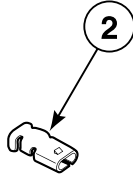
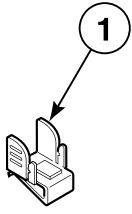


DRY1746P\_505028

## Terminal Block and Terminals

REF	PART NO.	DESCRIPTION	COMMENTS
1	504034	Wire Clip	
2	00360	Ultra Pod Terminal	(1) 12 gauge wire or (2) 18 gauge wires
3	00117	Female Pin Terminal	
4	23039	3 Circuit Receptacle	
5	23040	Plug	3 circuit
6	00116	Male Pin Terminal	
7	56451	2 Circuit Receptacle	
8	56448	2 Circuit Plug	
9	55881	Harness Strap	
10	00130	Female Pin Terminal	
11	56265	2 Circuit Receptacle	
12	56266	2 Circuit Plug	
13	00127	Male Pin Terminal	
14	58800	3 Circuit Connector	

# Terminals



D322P\_505028

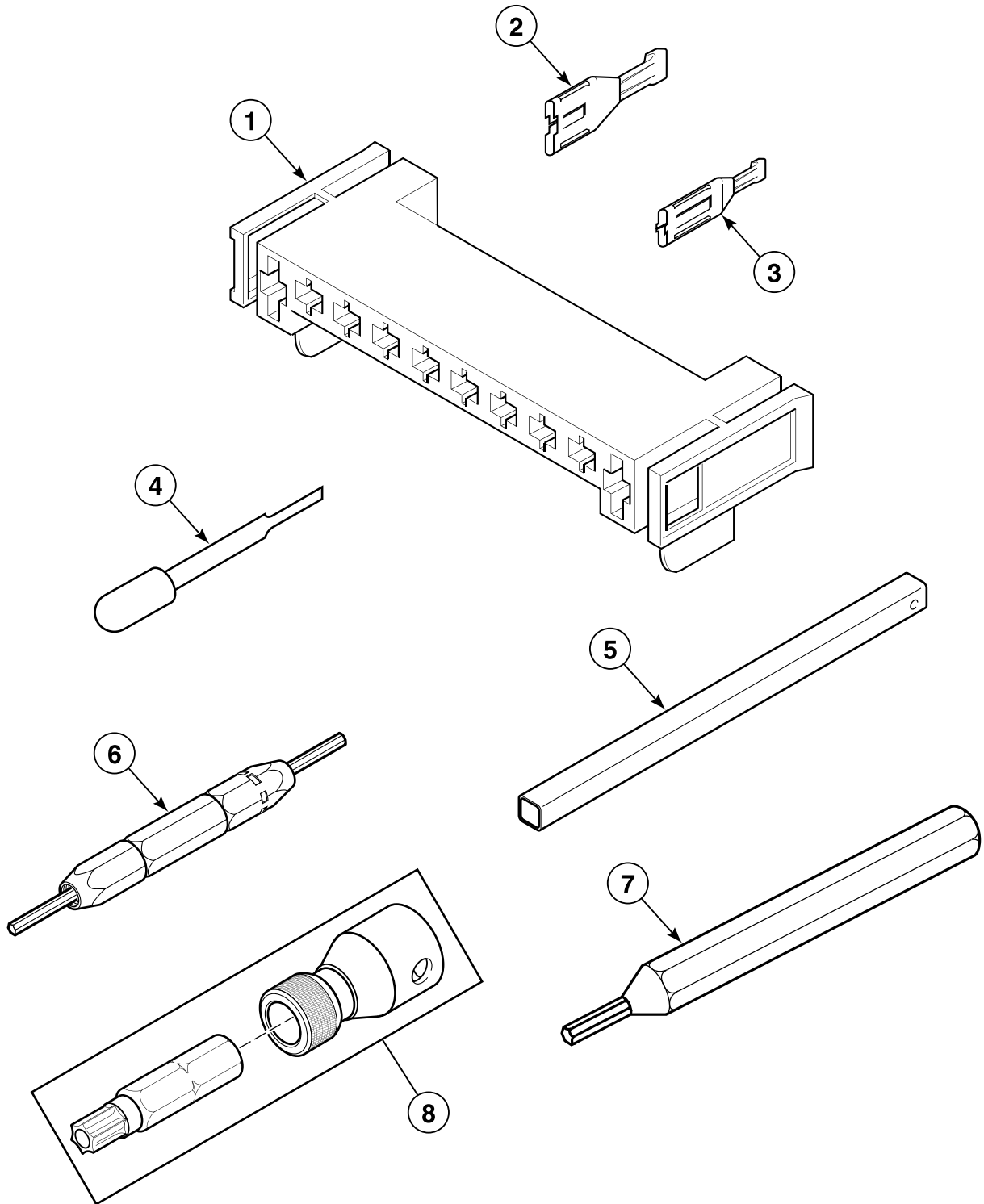


# Terminals

REF	PART NO.	DESCRIPTION	COMMENTS
1	00161	Grounding Clip	
2	00189	Female Spade Terminal	
3	00361	Female Piggyback Terminal	
4	58799	2 Circuit Connector	
5	00223	Female Spade Terminal	1/4 inch; (1) 18 gauge wire
	00121	Female Spade Terminal	1/4 inch; (2) 18 gauge wires or (1) 12 gauge wire
	00245	Spade Terminal	1/4 inch; (1) 22 gauge wire
6	00124	Female Spade Terminal	3/16 inch; (1) 18 gauge wire; .020 tab
	00156	Female Spade Terminal	3/16 inch; Thermostat wire; .032 tab
	N/A	Female Spade Terminal	3/16 inch; (2) 18 gauge wires ; .020 tab
7	38384	Strain Relief	
8	N/A	Terminal	
9	00347	Terminal	
10	00115	Female Spade Terminal	1/4 inch; (1) 18 gauge wire
	N/A	Female Spade Terminal	1/4 inch; (2) 18 gauge wires or (1) 12 gauge wire
11	90789	Receptacle Housing	
12	00359	Ultra Pod Terminal	1/4 inch
	00165	Insulated Female Terminal	3/16 inch
13	N/A	Pre-Insulated Spade Terminal	1/4 inch; 12 gauge or 18 gauge wire
14	00110	Ring Terminal	(1) 18 gauge wire
	00111	Ring Terminal	(2) 18 gauge wires or (1) 12 gauge wire
15	00114	Female Spade Terminal	1/4 inch; Double connector
16	00139	Male Tab Terminal	1/4 inch; (2) 18 gauge wires or (1) 12 gauge wire
17	00344	Female Tab Terminal	
18	N/A	Flag Insulated Terminal	

**N/A = Part no longer available**

# Terminals and Terminal Extractor Tools



DRY2066P\_505028

## Terminals and Terminal Extractor Tools

REF	PART NO.	DESCRIPTION	COMMENTS
1	500338	10 Position Housing	10 circuit
2	00255	Female Terminal	1/4 inch; (1) 12 gauge wire
	00256	Female Terminal	1/4 inch; (1) or (2) 18 gauge wires
3	00188	Female Terminal	For 1 or 2 wire applications
4	283P4	Terminal Extractor Tool	For use on Molex connectors
5	310P4	Ratchet Extension Tool	1/4 inch; For coin drop installation
6	190P4	Extractor Tool	For use on electric dryer terminals
7	128P4	Extractor Tool	For use on gas dryer terminals
8	282P4	Torx Bit	Use with 62853 Screw on access panel; T25 Tamper Resistant Bit
	24161	Bit Holder	Use with 62853 Screw on access panel; 3/8 inch

## Burner Orifice Spuds

PART NO.	DESCRIPTION	COMMENTS
60418	Burner Orifice	Liquid Petroleum Gas (L.P.); No. 53; 25,000 Btu rating, 0-2,000 feet
N/A	L.P. Orifice	L.P.; No. 54; 25,000 Btu rating, 3,500-7,499 feet
58755	L.P. Orifice	L.P.; No. 55; 25,000 Btu rating, 7,500 - 10,999 feet
N/A	L.P. Orifice	L.P.; No. 56; 25,000 Btu rating, 11,000 feet and higher
503776	N.G. Orifice	Natural Gas (N.G.); No. 41; 25,000 Btu rating, 2,000-2,999 feet
510517	N.G. Orifice	N.G.; No. 42; 25,000 Btu rating, 3,000-5,499 feet
503778	N.G. Orifice	N.G.; No. 43; 25,000 Btu rating, 5,500-6,999 feet
58719	Screw Orifice	N.G.; No. 44; 25,000 Btu rating, 7,000-8,999 feet
N/A	N.G. Orifice	N.G.; No. 45; 25,000 Btu rating, 9,000-10,499 feet
N/A	N.G. Orifice	N.G.; No. 46; 25,000 Btu rating, 10,500 feet and higher

**N/A = Part no longer available**

## Wire Harnesses and Wires

PART NO.	DESCRIPTION	COMMENTS
N/A	Wire Harness Assembly	Lower; Models HSG119*A, HSG119*C, SSE007*A, SSE007*A1500, SSG109*A, SSG119*A, SSG309*A and USE007*A
510410P	Wire Harness Assembly	Lower; Models SSE407*A, SSE407*A1500, SSE407*D, SSE407*D1500, SSE417*A, SSE417*D, SSE507*A, SSE507*A1500, SSE517*A, SSE517*A1500, SSE607*C, SSE607*C1500, SSE607*D, SSE607*D1500, SSE617*C, SSE617*D, SSE707*A and SSE717*A
510411P	Wire Harness Assembly	Lower; Models SSG409*A, SSG409*D, SSG419*A, SSG419*D, SSG509*A, SSG519*A, SSG609*C, SSG609*D, SSG619*C, SSG619*D, SSG709*A, SSG719*A and USG009*A
510414P	Wire Harness Assembly	Lower; Models HSE117*A, HSE117*C, SSE107*A, SSE107*A1500, SSE117*A, SSE117*A1500, SSE307*A and SSE307*A1500
510415	Wire Harness Assembly	Lower; Model SSG009*A
N/A	Card Reader Wire Harness Assembly	Connects card reader to controls (2 per stacked unit); Models SSE607*C, SSE607*C1500, SSE607*D, SSE607*D1500, SSE617*C, SSE617*D, SSG609*C, SSG609*D, SSG619*C and SSG619*D
38191	Card Reader Wire Harness Assembly	Connects card reader to controls (2 per stacked unit); Models SSE707*A, SSE717*A, SSG709*A and SSG719*A
501374P	Security Cabinet Harness Assembly	Connects upper unit to center section (1 per stacked unit); Models SSG409*A, SSG409*D, SSG419*A, SSG419*D, SSG509*A, SSG519*A, SSG609*C, SSG609*D, SSG619*C, SSG619*D, SSG709*A and SSG719*A
501378P	Security Cabinet Harness Assembly	Connects upper unit to center section (1 per stacked unit); Models SSE407*A, SSE407*A1500, SSE407*D, SSE407*D1500, SSE417*A, SSE417*D, SSE507*A, SSE507*A1500, SSE517*A, SSE517*A1500, SSE607*C, SSE607*C1500, SSE607*D, SSE607*D1500, SSE617*C, SSE617*D, SSE707*A and SSE717*A
510654P	Security Cabinet Wire Harness Assembly	Connects upper unit to center section (1 per stacked unit); Models SSE007*A, SSE007*A1500 and USE007*A
39955P	Meter Case Wire Harness Kit	Connects timer, coin drop or card reader to controls (2 per stacked unit); Models SSE407*A, SSE407*A1500, SSE407*D, SSE407*D1500, SSE417*A, SSE417*D, SSE507*A, SSE507*A1500, SSE517*A and SSE517*A1500
510534P	Harness Replacement Kit	Connects timer, coin drop or card reader to controls (2 per stacked unit); Models HSE117*A, HSE117*C, HSG119*A, HSG119*C, SSE107*A, SSE107*A1500, SSE117*A, SSE117*A1500, SSG109*A, SSG119*A, SSG309*A, SSG409*A, SSG409*D, SSG419*A, SSG419*D, SSG509*A and SSG519*A

\* Add Letter To Designate Color. L - Almond W - White

N/A = Part no longer available

**NOTE: Individual wires are not available separately. Order complete wire harness or order wire by the foot. When applying terminals to wires it is recommended that the terminals be soldered to the wires.**

## Wire Harnesses and Wires

PART NO.	DESCRIPTION	COMMENTS
510637P	Harness Replacement Kit	Connects upper unit to center section (1 per stacked unit); Models HSG119*A, HSG119*C, SSG109*A, SSG119*A and SSG309*A
510661P	Harness Replacement Kit	Connects timer, coin drop or card reader to controls (2 per stacked unit); Models SSE307*A and SSE307*A1500
510662P	Harness Replacement Kit	Connects upper unit to center section (1 per stacked unit); Models HSE117*A, HSE117*C, SSE107*A, SSE107*A1500, SSE117*A, SSE117*A1500, SSE307*A and SSE307*A1500
500827P	Wire Harness Assembly	Upper; Models HSG119*A, HSG119*C and SSG119*A
510408P	Upper Wire Harness Assembly	Models SSE407*A, SSE407*A1500, SSE407*D, SSE407*D1500, SSE417*A, SSE417*D, SSE507*A, SSE507*A1500, SSE517*A, SSE517*A1500, SSE607*C, SSE607*C1500, SSE607*D, SSE607*D1500, SSE617*C, SSE617*D, SSE707*A and SSE717*A
510412P	Wire Harness Assembly	Upper; Models HSE117*A, HSE117*C, SSE007*A, SSE007*A1500, SSE107*A, SSE107*A1500, SSE117*A, SSE117*A1500, SSE307*A, SSE307*A1500 and USE007*A
510413P	Wire Harness Assembly	Upper; Models SSG009*A and USG009*A
510417P	Wire Harness Assembly	Upper; Models SSG109*A, SSG309*A, SSG409*A, SSG409*D, SSG419*A, SSG419*D, SSG509*A, SSG519*A, SSG609*C, SSG609*D, SSG619*C, SSG619*D, SSG709*A and SSG719*A
510655P	Security Cabinet Wire Harness Assembly	Connects upper unit to center section (1 per stacked unit); Models SSG009*A and USG009*A
45001	18 Gauge Wire	Black; Order by the foot; Order terminals and connectors as required
45380	12 Gauge Wire	Orange; Order by the foot; Order terminals and connectors as required

\* Add Letter To Designate Color. L - Almond W - White

N/A = Part no longer available

**NOTE: Individual wires are not available separately. Order complete wire harness or order wire by the foot. When applying terminals to wires it is recommended that the terminals be soldered to the wires.**

# Parts Index

## A

Access Panel	
510069LP .....	33
510069WP .....	33
Access Panel Plate	
510903 .....	47, 49
Accumulator Replacement Kit	
510628P .....	25
510630P .....	27
Adhesive	
511637P .....	37, 39
Air Duct Assembly	
510151 .....	37
Anti-seize Compound	
27604P .....	35

## B

Bit Holder	
24161 .....	57
Blower and Fan Kit	
510717P .....	35
Blower Fan Assembly	
510139P .....	35
Blower Housing and Cover Kit	
511969P .....	35
Blower Housing Seal	
510238P .....	35
Bolt	
29651 .....	17
512505 .....	23
Booster and Holding Coil	
58804A .....	45
Bracket	
510146 .....	47
Bumper Pad	
56128 .....	47
Burner Assembly	
510149P .....	45
Burner Orifice	
60418 .....	58

## C

Card Reader	
512473 .....	23
Card Reader Instruction Overlay	
38192 .....	23
Card Reader Kit	
875P3 .....	23
Card Reader Wire Harness Assembly	
38191 .....	59
Clean Lint Label	
502804 .....	33
Coin Drop	
70441601P .....	9

Coin Funnel Kit	
523P3 .....	17
Coin Meter Drive	
M400754 .....	25, 27
Coin Slide Extension	
503455 .....	7
Coin Slide Guard	
58181 .....	7
Combustion Duct	
510131 .....	43
Connector, 2 Circuit	
58799 .....	55
Connector, 3 Circuit	
58800 .....	53
Control Kit	
M414050P .....	9, 11, 13
Control Panel and Bracket Assembly	
500228L .....	5, 7
500228W .....	5, 7
Counter Kit	
62113P .....	7
Cylinder Assembly	
510265P .....	37
Cylinder Baffle	
503703P .....	37
Cylinder Belt	
511255P .....	35
Cylinder Glide	
510187 .....	37
Cylinder Glide Bracket	
510145 .....	37
Cylinder Roller	
510708P .....	39
Cylinder Roller Bracket	
510100 .....	39
Cylinder Seal Assembly	
510207P .....	37, 39

## D

Damper	
58786 .....	47, 49
Directional Exhaust Kit	
528P3 .....	47, 49
Disconnect Power Warning Label	
505281 .....	47
Door and Liner Assembly	
511636LP .....	31
511636WP .....	31
Door Catch Assembly	
510177 .....	33
Door Handle Wedge	
510129 .....	29, 31
Door Liner Grill	
503870W .....	31
Door Pull and Wedge Kit	
510103LP .....	29, 31
510103WP .....	29, 31

N/A items do not appear in index.

Door Strike	
510181 .....	29, 31
Door Strike Mount	
510127 .....	29, 31
Door Switch Bracket	
38087 .....	19
Dryer Base	
510084 .....	47, 49
Dryer Door	
510013LP .....	29
510013WP .....	29
510082LP .....	31
510082WP .....	31
Dryer Door Window	
503982 .....	31

## E

Elbow Shut-Off Valve	
510205 .....	45
Electric Clearance Label	
511005 .....	47
Exhaust Duct	
510137 .....	47, 49
Extractor Tool	
128P4 .....	57
190P4 .....	57

## F

Fabric Selector Switch	
61512 .....	5, 7
Felt Pad	
510189 .....	37
Female Piggyback Terminal	
00361 .....	55
Female Pin Terminal	
00117 .....	53
00130 .....	53
Female Spade Terminal	
00114 .....	55
00115 .....	55
00121 .....	55
00124 .....	55
00156 .....	55
00189 .....	55
00223 .....	55
Female Tab Terminal	
00344 .....	55
Female Terminal	
00188 .....	57
00255 .....	57
00256 .....	57
Flexible Venting Kit	
521P3 .....	47, 49
Front Bulkhead Assembly	
510266P .....	37
Front Panel	
510066LP .....	33
510066WP .....	33
Front Panel Seal	
511056 .....	33

Fuse Notice Label	
61294 .....	47, 49

## G

Gas Clearance Label	
511004 .....	47, 49
Gas Valve Assembly	
60353P .....	45
Gas Valve Mounting Bracket	
510128 .....	45
Gas Valve Wire Harness Assembly	
510530 .....	45
Graphic Overlay	
504117 .....	9, 11, 13
504590 .....	5, 7
Grounding Clip	
00161 .....	5, 7, 55

## H

Harness	
512501 .....	23
Harness Replacement Kit	
510534P .....	59
510637P .....	60
510661P .....	60
510662P .....	60
Harness Strap	
55881 .....	53
Heat Duct Shroud	
510101 .....	43
Heater Assembly	
510329P .....	41
Heater Duct and Screw Assembly	
510025P .....	41, 43
Heater Kit Assembly	
61928 .....	41
Hinge	
511036 .....	29, 31
Hold Down Kit	
526P3 .....	49
Housing, 10 Position	
500338 .....	57

## I

Idler Lever	
510133 .....	35
Idler Lever and Wheel Assembly	
510158 .....	35
Idler Spring	
510185 .....	35
Idler Wheel and Bearing Assembly	
510142P .....	35
Igniter and Bracket Assembly	
510184P .....	45
Instructions for Use Label	
500498 .....	33

N/A items do not appear in index.



Insulated Female Terminal 00165 .....	55
--	----

---

## K

Key 54612 .....	5, 7, 9, 11, 13
--------------------	-----------------

---

## L

Lead-In Cord 59308 .....	51
Lead-In Pipe Assembly 510204 .....	45
Leveling Leg 510135 .....	47, 49
Light 32464 .....	5, 7
Limit Thermostat 510701 .....	41
510702 .....	43
Liner and Seal Assembly 510098W .....	31
Liner Door Seal 510147P .....	29, 31
Liner, Seal and Grill Assembly 510163WP .....	29
Lint Filter 503980 .....	37
Lock Cam 27261 .....	5, 7, 9, 11, 13
Lock Kit 27260P .....	5, 7, 9, 11, 13
L.P. Conversion Kit 458P3 .....	45
L.P. Orifice 58755 .....	58

---

## M

Male Pin Terminal 00116 .....	53
00127 .....	53
Male Tab Terminal 00139 .....	55
Meter Case Wire Harness Kit 39955P .....	59
Motor and Pulley Assembly 511629P .....	35
Motor Hub Ring Kit 590P3 .....	35
Motor Mount 510060 .....	35
Motor Mount Clamp 510180 .....	35
Motor Pulley 500011 .....	35

---

## N

Nut 24205 .....	5, 7
29786 .....	9
29796 .....	17
52566 .....	35
52947 .....	5, 7
56156 .....	35, 39
80077 .....	15, 17, 19, 21, 23
N.G. Conversion Kit 459P3 .....	45
N.G. Orifice 503776 .....	58
503778 .....	58
510517 .....	58

---

## O

Outlet Cover 500820 .....	41, 43
Overlay 502927 .....	5
505381 .....	7

---

## P

Panel Kit 727P3L .....	47, 49
727P3W .....	47, 49
Panel Locator 56079 .....	15, 17, 19, 21, 23, 33, 47, 49
Plug 23040 .....	53
Plug, 2 Circuit 56266 .....	53
56448 .....	53
Pop Rivet 70058501 .....	37
Power Supply 512496 .....	23
Programming Card 512499P .....	23

---

## R

Ratchet Extension Tool 310P4 .....	57
Ratchet Wheel 53239 .....	25, 27
Rear Bulkhead Assembly 511082P .....	39
Receptacle Housing 90789 .....	55
Receptacle, 2 Circuit 56265 .....	53
56451 .....	53
Receptacle, 3 Circuit 23039 .....	53

N/A items do not appear in index.

Retaining Ring 23748 .....	35, 39
Ring Terminal 00110 .....	55
00111 .....	55

## S

Screw	
03203 .....	7
20530 .....	5, 7, 11, 13, 51
23222 .....	41, 45
27328 .....	5
31260 .....	35
33562 .....	33, 49
39733 .....	15, 17, 19, 21, 23, 33, 47, 49
500226 .....	29, 31, 37
500824 .....	35
501285 .....	37, 39
501524 .....	9, 11, 13
502431 .....	15, 17, 19, 21, 23, 47
502535 .....	35
503661 .....	7, 15, 17, 19, 21, 23, 33, 35, 39, 47, 49
503688 .....	15, 17, 19, 21, 23, 37, 39, 41, 43, 45, 47, 49
505295 .....	29, 31
505870 .....	31
51782 .....	43, 45
56124 .....	45
61199 .....	39
62588 .....	37
62853 .....	33
Screw Orifice 58719 .....	58
Secondary Coil 58804B .....	45
Security Cabinet Front 500225LP .....	15
500225WP .....	15
Security Cabinet Front Assembly 503428W .....	23
505227W .....	21, 23
511522LP .....	17
511522WP .....	17
511632WP .....	19
Security Cabinet Harness Assembly 501374P .....	59
501378P .....	59
Security Cabinet Wire Harness Assembly 510654P .....	59
510655P .....	60
Sensor 510213 .....	45
Shaft 56461P .....	35, 39
Spade Terminal 00245 .....	55
Speed Clip 28835 .....	33
Strain Relief 38384 .....	51, 55
52113 .....	5, 7, 9, 11, 13
Switch 504570 .....	19, 33
Switch Assembly 55882 .....	5, 7

N/A items do not appear in index.

Switch Knob 39897 .....	5, 7
----------------------------	------

## T

Terminal 00347 .....	55
Terminal Block Assembly 510190P .....	39
Terminal Block Shield 510237 .....	39
Terminal Extractor Tool 283P4 .....	57
Thermal Fuse Assembly 511412 .....	41
Thermistor Assembly 510523 .....	35
Thermostat 504515 .....	35
Timer 510524P .....	5
Timer Bracket 503017 .....	7
Timer Knob 54678 .....	5
Timer Motor 512017P .....	25, 27
Timer Overlay 500814 .....	5
Timing Cam 53240 .....	25, 27
53241 .....	25, 27
53242 .....	25, 27
53243 .....	25, 27
Top Hinge 510136 .....	47
Top Kit 510032LP .....	47
510032WP .....	47
Torx Bit 283P4 .....	57

## U

Ultra Pod Terminal 00359 .....	55
00360 .....	53
Upper Wire Harness Assembly 510408P .....	60

## V

Venting Instruction Label 502791 .....	33
---	----

## W

Warning/Caution Label 500281 .....	33
---------------------------------------	----

Washer	
25820 .....	5, 7
501307 .....	15, 17, 19, 21, 23, 47
52549 .....	35, 39
91176 .....	5, 7
Window Trim	
503981L .....	31
503981W .....	31
Wire Clip	
504034 .....	53
Wire Harness Assembly	
500827P .....	60
510410P .....	59
510411P .....	59
510412P .....	60
510413P .....	60
510414P .....	59
510415 .....	59
510417P .....	60
Wire, 12 Gauge	
45380 .....	60
Wire, 18 Gauge	
45001 .....	60
Wrapper and Channel Assembly	
505753WP .....	15, 17, 19, 21, 23

---

